

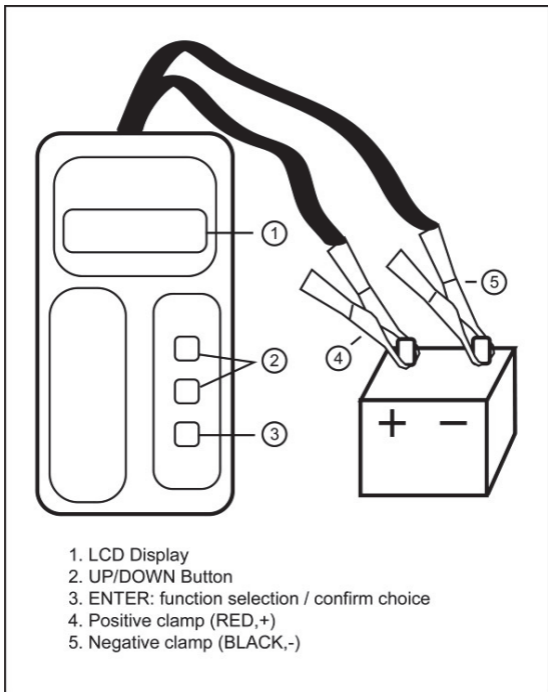
BTJ41 BATTERY TESTER

BTJ42 BATTERY/CHARGING/STARTING SYSTEM ANALYZER

TEST PROCEDURES / OPERATING INSTRUCTIONS

IMPORTANT :

1. For testing 12 volt, 2AH~200AH batteries (BTJ41/BTJ42), and for testing 12 volt charging systems (BTJ42).
2. Suggested operation range 32°F(0°C) to 122°F(50°C) in ambient temperature.



WARNING :

- 1.** Working in the vicinity of a lead acid battery is dangerous. Batteries generate explosive gases during normal battery operation. For this reason, it is of utmost importance, if you have any doubt, that each time before using your tester, you read these instructions very carefully.
- 2.** To reduce risk of battery explosion, follow these instructions and those published by the battery manufacturer and manufacturer of any equipment you intend to use in the vicinity of the battery. Observe cautionary markings on these items.
- 3.** Do not expose the tester to rain or snow.

PERSONAL SAFETY PRECAUTIONS :

- 1.** Someone should be within range of your voice or close enough to come to your aid when you work near a lead acid battery.
- 2.** Have plenty of fresh water and soap nearby in case battery acid contacts skin, clothing or eyes.
- 3.** Wear safety glasses and protective clothing.
- 4.** If battery acid contacts skin or clothing, wash immediately with soap and water. If acid enters eye, immediately flood eye with running cold water for at least ten minutes and get medical attention immediately.
- 5.** NEVER smoke or allow a spark or flame in vicinity of battery or engine.
- 6.** Be extra cautious to reduce risk of dropping a metal tool onto the battery. It could spark or short-circuit the battery or other electrical parts and could cause an explosion.
- 7.** Remove personal metal items such as rings, bracelets, necklaces and watches when working with a lead acid battery. It can produce a short circuit current high enough to weld a ring or the like to metal causing a severe burn.

PREPARING TO TEST :

- 1.** Be sure area around battery is well ventilated while battery is being tested.
- 2.** Clean battery terminals. Be careful to keep corrosion from coming in contact with eyes.
- 3.** Inspect the battery for cracked or broken case or cover. If battery is damaged, do not use tester.
- 4.** If the battery is not sealed maintenance free, add distilled water in each cell until battery acid reaches level specified by the manufacturer. This helps purge excessive gas from cells. Do not overfill.
- 5.** If necessary to remove battery from vehicle to test, always remove ground terminal from battery first. Make sure all accessories in the vehicle are off to ensure you do not cause any arcing.

OPERATION & USE :

BATTERY TEST - BTJ41/BTJ42

- 1.** Before you test a battery in a vehicle, turn off the ignition, all accessories and loads. Close all the vehicle doors and the trunk lid.
- 2.** Make sure you have put a 9V battery into the battery chamber. If the 9V battery runs out of power, screen will show "REPLACE INTERNAL BATTERY". Replace a 9V battery before starting the test.

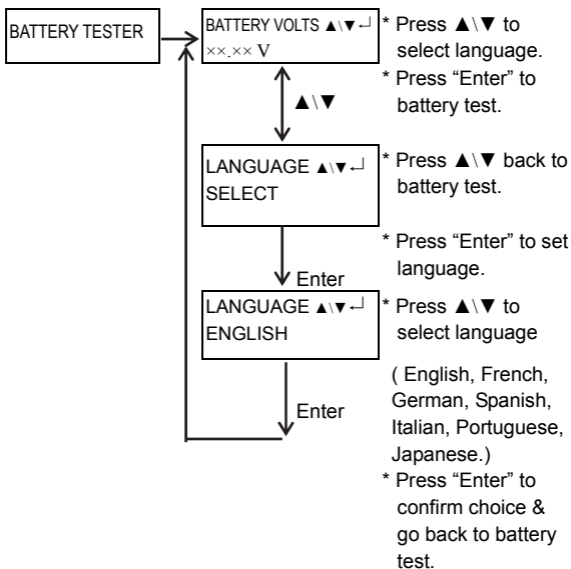
Note: Nothing will show on the display until the tester is connected to a vehicle battery.

- 3.** Make sure the battery terminals are clean. Wire brush them if necessary. Clamp the black load lead to the negative terminal of the vehicle battery. Clamp the red load lead to the positive terminal of the vehicle battery. Please clamp on the lead part of the terminal only.

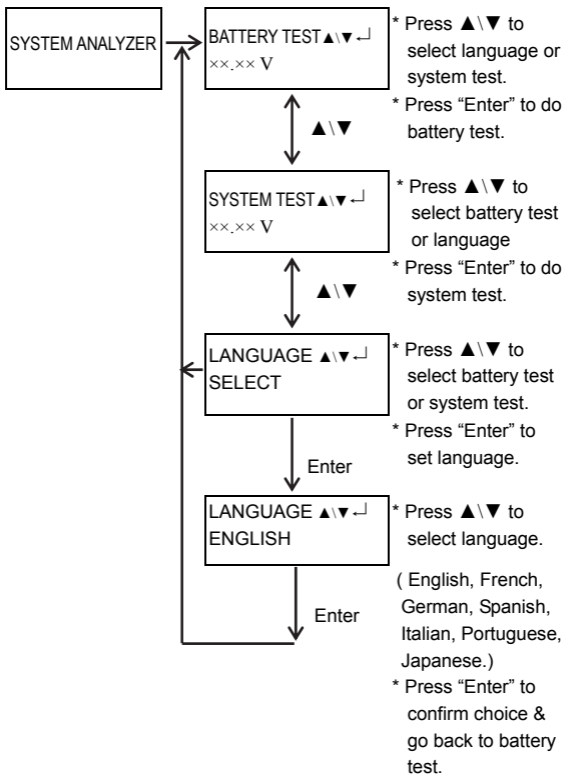
Clamping on the iron part of the terminal will lead to wrong test results.

4. You will view the following screens :

***BTJ41/BTJ42**



***BTJ42**



5. Press the ▲\▼ key to select battery test. Press «ENTER» button.

Example :

6. Press the ▲\▼ key to select the battery type :

VRLA/GEL/AGM/SLA or
STANDARD SLI.

Press «ENTER» to confirm choice.

BATTERY TYPE ▲\▼ ↵
VRLA/GEL/AGM/SLA

7. Press the ▲\▼ key to input the battery capacity of AH :
2~200.

•Press «ENTER» to begin the test.

SET CAPACITY ▲\▼ ↵
×××× AH

Surface Charge Notice

The battery will hold a surface charge if the engine has been running or after the battery has been charged. The tester may prompt you to remove the surface charge.

- Follow the instructions indicating when to turn the headlights on and off or apply a load into the battery.

In Vehicle



Out of Vehicle



- The tester will resume testing after it detects that the surface charge is removed.

8. Test the battery for few seconds.
9. Press the ▲\▼ key to select battery fully charged or not if tester asks. Press «ENTER» to confirm choice.

TESTING

IS BATTERY ▲\▼↵
CHARGED? YES

10. When the test is completed, the display shows the actual volts , the actual CCA and %. {Press the ▲\▼ key to select: SOH (STATE OF HEALTH) or SOC (STATE OF CHARGE)}.

One of six results will be displayed:

GOOD & PASS :

The battery is good & capable of holding a charge.

GOOD & PASS
xx,xxV xxxx SAE

GOOD & RECHARGE :

The battery is good but needs to be recharged.

GOOD & RECHARGE
xx,xxV xxxx SAE

RECHARGE & RETEST :

Battery is discharged, the battery condition cannot be determined until it is fully charged. Recharge & retest the battery.

RECHARGE & RETEST
xx,xxV xxxx SAE

BAD & REPLACE :

The battery will not hold a charge. It should be replaced immediately.

BAD & REPLACE
xx,xxV xxxx SAE

BAD CELL & REPLACE :

The battery has at least one cell with short circuit. It should be replaced immediately.

BAD CELL & REPLACE
xx,xxV xxxx SAE

LOAD ERROR :

LOAD ERROR


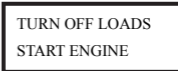
The tested battery is bigger than 200AH. Or the clamps are not connected properly. Please fully charge the battery and retest after excluding both previous reasons. If reading is the same, the battery should be replaced immediately.

※ The operator is asked if any accessories are left on as a possible cause. If accessories are left on, the operator is instructed to charge and retest the battery. If accessories are not left on, the operator is instructed to replace the batter because the charging system is working and a good battery should have accepted a charge.

- 11.** Press «ENTER» return to step 5 or remove the test clamps from the battery posts after completion of testing batteries to end test.

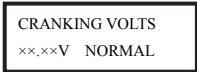
SYSTEM TEST - BTJ42

Example :

1. Press «ENTER» button, you will view the following screen:

2. Turn off all vehicle accessory loads such as light, air conditioning, radio, etc. before start the engine.

3. When the engine is started, one of the three results will be displayed along with the actual reading measured.

CRANKING VOLTS NORMAL

The system is showing normal draw. Press «ENTER» to perform the charging system test.



CRANKING VOLTS
xx,xxV NORMAL

CRANKING VOLTS LOW

The cranking voltage is below normal limits, troubleshoot the starter with manufacturers recommended procedure.

CRANKING VOLTS
xx.xxV LOW

CRANKING VOLTS NO DETECTED

The cranking voltage is not detected.

CRANKING VOLTS
NO DETECTED

4. If the cranking voltage is normal, press «ENTER» to begin charging system test.
5. Press the «ENTER» key, you will view the following screen. Please turn off ALL LOADS.

PRESS ENTER FOR
CHARGING TEST

MAKE SURE ALL
LOADS ARE OFF

6. Press the «ENTER» key, one of the three results will be displayed along with the actual reading measured.

LOW CHARGING VOLTS WHEN TEST AT IDLE

The alternator is not providing sufficient current to the battery. Check the belts to ensure the alternator is rotating with engine running. If the belts are slipping or broken, replace the belts and retest. Check the connections from the alternator to the battery. If the connection is loose or heavily corroded, clean or replace the cable and retest. If the belts and connections are in good condition, replace the alternator.

ALT. IDLE VOLTS
xx.xxV LOW

CHARGING SYSTEM NORMAL WHEN TEST AT IDLE

The system is showing normal output from the alternator. No problem is detected.

ALT. IDLE VOLTS
xx.xxV NORMAL

HIGH CHARGING VOLTS WHEN TEST AT IDLE

The voltage output from the alternator to the battery exceeds the normal limits of a

ALT. IDLE VOLTS
xx.xxV HIGH

functioning regulator. Check to ensure there is no loose connection and the ground connection is normal. If there is no connection issue, replace the regulator. Since most alternators have the regulator built-in, this will require you to replace the alternator. The normal high limit of a typical automotive regulator is 14.7 volts +/- 0.05. Check manufacturer specifications for the correct limit, as it will vary by vehicle type and manufacturer.

7. Following the charging system at idle, press «ENTER» for the charging system with

TURN ON LOADS
AND PRESS ENTER

accessory loads. Turn on the blower to high (heat), highbeam headlights, and rear defogger. Do not use cyclical loads such as air conditioning or windshield wipers.

8. When testing older model diesel engines, the users need to run up the engine to 2500 rpm for 15 seconds. You will view the screen as follows:

RUN ENGINE UP TO
2500 RPM 15 SEC.

9. Press «ENTER» to look for the amount of ripple from the charging system to the battery. One of two testing results will be displayed along with the actual testing measured.

RIPPLE DETECTED NORMAL

Diodes function well in the alternator / stator.

RIPPLE DETECTED
xx.xxV NORMAL

Or

NO RIPPLE DETECT

EXCESS RIPPLE DETECTED

One or more diodes in the alternator are not functioning or there is stator damage.

Ripple Detected
xx.xxV HIGH

Check to ensure the alternator mounting is sturdy and that the belts are in good shape and functioning properly. If the mounting and belts are good, replace the alternator.

10. Press the «ENTER» key to continue the charging system with accessory loads. One of the three results will be displayed along with the actual testing measured.

CHARGING SYSTEM HIGH WHEN TEST WITH ACCESSORY LOADS

The voltage output from the alternator to the battery

ALT. LOAD VOLTS
xx.xxV HIGH

exceeds the normal limits of a functioning regulator.

Check to ensure there are no loose connections and that the ground connection is normal. If there are no connection issues, replace the regulator. Since most alternators have the regulator built-in, this will require you to replace the alternator.

CHARGING SYSTEM LOW WHEN TEST WITH ACCESSORY LOADS

The alternator is not providing sufficient current for the

ALT. LOAD VOLTS
xx.xxV LOW

system's electrical loads and the charging current for the battery. Check the belts to ensure the alternator is rotating with the engine running. If the belts are slipping or broken, replace the belts and retest. Check the connections from the alternator to the battery. If the connection is loose or heavily corroded, clean or replace the cable and retest. If the belts and connections are in good working condition, replace the

alternator.

CHARGING SYSTEM NORMAL WHEN TEST WITH ACCESSORY LOADS

The system is showing normal output from the alternator. No problem detected.

ALT. LOAD VOLTS
xx.xxV NORMAL

- 11.** Press «ENTER» when charging system test is completed finish. Turn all accessory loads and engine off. Press «ENTER» to return to step 1 or remove the test clamps from the battery posts after completion of testing to end test.

TEST OVER. TURN
OFF LOADS & ENGINE

GLOSSARY

What is a GEL battery?

A gel battery is a lead-acid electric storage battery that:

- is sealed using special pressure valves and should never be opened.
- is completely maintenance-free.*
- uses thixotropic gelled electrolyte.
- uses a recombination reaction to prevent the escape of hydrogen and oxygen gases normally lost in a flooded lead-acid battery (particularly in deep cycle applications).
- is non-spillable, and therefore can be operated in virtually any position. However, upside-down installation is not recommend-ed.

✧ Connections must be retorqued and the batteries should be cleaned periodically.

What is an AGM battery?

An AGM battery is a lead-acid electric storage battery that:

- is sealed using special pressure valves and should never be opened.
- is completely maintenance-free.*
- has all of its electrolyte absorbed in separators consisting of a sponge-like mass of matted glass fibers.
- uses a recombination reaction to prevent the escape of

hydrogen and oxygen gases normally lost in a flooded lead-acid battery (particularly in deep cycle applications).

- is non-spillable, and therefore can be operated in virtually any position. However, upside-down installation is not recommended.
- ✧ Connections must be retorqued and the batteries should be cleaned periodically.

What is a VRLA battery?

Valve Regulated Lead Acid Battery – This type of battery is sealed Maintenance Free with a “Bunce” Valve or Valves in the top of them that opens when a preset pressure is realized inside the battery and let’s the excess gas pressure out. Then the valve resets itself.

What is a SLI battery?

These initials stand for Starting, Lighting and Ignition, which are the three basic functions which a battery has to perform on all normal vehicles. Batteries given this description will have been specifically designed for service on cars and trucks within a voltage controlled electrical system. Those SLI batteries which are intended for heavy haulage vehicles fitted with large diesel motors may often be called COMMERCIAL batteries. They have to be much more powerful and more robust than batteries intended for cars.

What is STATE OF HEALTH?

It means how much battery capacity is left (%) comparing with the marked original battery capacity.

What is STATE OF CHARGE?

It means how many percent of the battery is actually charged.

What is CCA (COLD CRANKING AMPS)?

The current in amperes which a new fully charged battery can deliver for 30 seconds continuously without the terminal voltage falling below 1.2volts per cell, after it has been cooled to 0°F and held at that temperature. This rating reflects the

ability of the battery to deliver engine starting currents under winter conditions.

What is AMPERE-HOUR?

The unit of measurement of electrical capacity. A current of one ampere for one hour implies the delivery or receipt of one ampere-hour of electricity. Current multiplied by time in hours equals ampere-hours.

TERMS AND CONDITIONS OF WARRANTY

Any battery tester defective in material or workmanship will be repaired or replaced according to published defective return test repair procedures. The existence of a defect shall be determined by the seller in accordance with published procedures. The published test procedures are available upon request.

This warranty does not cover any unit that has been damaged due to accident, abuse, alternation, use for a purpose other than that for which it was intended, or failure to follow operating instructions. This warranty is expressly limited to original retail buyers. This warranty is not assignable or transferable. Proof of purchase is required for all alleged claims. Warranty cannot be authorized without proof of purchase. Warranty claims must be sent pre-paid with dated proof of purchase. Damage incurred during shipment is the responsibility of the shipper (customer returning unit) If the returned unit qualifies for warranty, the shipper will only incur shipping cost. The seller reserves the right to substitute or offer alternative warranty options at its discretion.

The sole and exclusive remedy for any unit found to be defective is repair or replacement, at the option of the seller. In no event shall the seller be liable for any direct, indirect, special, incidental, or consequential damages (including lost profit) whether based on warranty, contract, tort, or any other legal theory.

RETURN GOODS:

Pack with sufficient over-pack to prevent damage during shipment. Damage incurred during return shipment is not covered under this warranty. Repair costs for such damages will be charged back to shipper.

REMARK:

WHEN RETURNING GOODS, PLEASE SHOW "RETURN GOODS" ON ALL INVOICES & RELATED SHIPPING DOCUMENTS TO PREVENT ANY EXTRA CHARGE."

195BJ41000

