



HOSE CLAMPS

Hose Clamps

Cable Ties





**Proudly Australian
since 1976**



History

Tridon Australia was incorporated in 1976 and specialises in the manufacturing and distribution of products to the industrial and automotive markets.

It is a 100% Australian family owned and managed company.

Originally operating from branch and warehouse facilities in the main capital cities of Australia, Tridon now has an expanded branch network covering the Northern Territory, Far North Queensland and Tasmania.

In 1986, Tridon Australia incorporated a wholly owned subsidiary in New Zealand, with warehouse facilities in the North and South Islands.

Tridon has continued to develop its automotive, industrial and hardware range and now has a comprehensive product mix that is sold to domestic markets in Australia and New Zealand.

Tridon's manufactured products are also exported to many countries around the world including Japan, North America, Asia and the Middle East.

Tridon Brands

The Tridon Group owns and manages trademarks for Tridon, Toledo specialty tools, Matson battery products and accessories and Sykes-Pickavant premium workshop tools.

Synonymous with quality, these brands offer a wide selection of tools and accessories for the mining, automotive, industrial and hardware industries.

Tridon also exclusively distributes HIT, Metrinch, Bikeservice and market leading German brands Knipex and Rennsteig in Australia.



Research and Development

Tridon invests heavily in research and development to ensure the latest new and improved products are brought to market. Tridon is committed to quality, performance and innovation, also offering a technical support team for all products.

Tridon Network and Subsidiaries

Tridon has national branch and warehouse facilities in key locations around Australia and New Zealand ensuring efficient distribution and local customer service support.





Manufacturing and Quality Control



Hose Clamps

A hose clamp is a small component that performs a critical task. Tridon hose clamps are the ultimate choice when it comes to sealing in many applications. Engineered with features that create the most reliable hose clamp on the market, the Tridon brand is demanded by trade professionals. Unique features of each hose clamp include exact tolerances, ease of fitment, protection of the hose and reliable sealing.

Manufacturing and Quality

Tridon has made significant investments in Australian manufacturing, creating innovative products that meet world class standards. Tridon's manufacturing facility has completely automated equipment, developed and created by

their in-house engineering team.

This allows control and consistency of free torque, performance, and technical specifications. Tridon is committed to quality and complies with ISO9001, ISO45001, and ISO14001.

Through contract review, advanced quality planning, production part approval process and an extensive inspection and testing program, our management system ensures adherence to customer specifications.

Innovation and Design

Manufacturing in Australia has allowed Tridon to specialise in comprehensive service around customer specific needs. Tridon is able to design and build hose clamps locally to provide tailored solutions for complex fastening and sealing requirements, including unique short run custom hose clamps.



Sustainability

Tridon is committed to sustainable manufacturing and operations. Recent improvements such as the upgrade of sites with solar panels now generate over 70% of electricity demand.

Tridon is committed to energy efficiency, with recent improvements and upgrades in machinery delivering a 30% reduction in electricity consumption during the manufacturing process.

All of Tridon's operational practices are ISO14001 environmentally accredited.



Tridon Tour

Take a tour of the Tridon hose clamp manufacturing facility by scanning the QR code.

CONTENTS

WORM DRIVE HOSE CLAMPS



WORM DRIVE IDENTIFICATION AND SELECTION GUIDE

Page 9



PERFORATED BAND CLAMPS

Part Stainless Steel

Page 10



PERFORATED BAND CLAMPS

All Stainless Steel

Page 12



PERFORATED BAND CLAMPS

316 All Stainless Steel

Page 14



SOLID BAND CLAMPS

Part Stainless Steel Automotive Sizing

Page 15



EXTENDED TANG MICRO CLAMPS

Part Stainless Steel

Page 16



NUT AND BOLT CLAMPS

Carbon Steel Zinc Plated

Page 17



TRI STRENGTH CLAMPS

All Stainless Steel

Page 18



CONSTANT TENSION CLAMPS

Part Stainless Steel

Page 19



MULTI PURPOSE CLAMPS

Part Stainless Steel

Page 20



MULTI PURPOSE CLAMPS

All Stainless Steel

Page 22



CUSTOM BUILT WORM DRIVE CLAMPS

Page 24

T-BOLT HOSE CLAMPS



T-BOLT IDENTIFICATION AND SELECTION GUIDE

Page 27



T-BOLT CLAMPS

Part Stainless Steel

Page 28



T-BOLT CLAMPS

All Stainless Steel

Page 30



T-BOLT ULTIMATE CLAMPS

Part Stainless Steel

Page 32



T-BOLT CLAMPS

Spring T-Bolt

Page 33



CUSTOM BUILT T-BOLT CLAMPS

Page 34

SPECIALTY BAND HOSE CLAMPS



LAYFLAT CLAMPS

All Stainless Steel

Page 37



FLANGE CLAMPS

All Stainless Steel

Page 38



QUICK RELEASE CLAMPS
Part Stainless Steel

Page 39



UNI BAND CLAMPS
All Stainless Steel

Page 40



PREFORM CLAMPS
All Stainless Steel

Page 41



STAINLESS STEEL CABLE TIES
All Stainless Steel

Page 42, 43



CV BOOT CLAMPS
All Stainless Steel

Page 44



RUBBER LINED CLAMPS
Zinc Plated Carbon
or 304 Stainless Steel

Page 45



VINYL COATED CLAMPS
Zinc Plated Carbon Steel

Page 46



MAGNETIC BASE ASSEMBLY
Rare Earth Pot Magnet

Page 48



DOUBLE EAR CLAMPS
Zinc Plated Carbon Steel

Page 49



IRRIGATION CLAMPS
Zinc & Aluminium Flake Coated
Stainless Steel

Page 50

CABLE TIES



CABLE TIES
Black Cable Ties

Page 53



CABLE TIES
Natural Cable Ties

Page 54



CABLE TIES
Coloured Cable Ties

Page 55



STAINLESS STEEL CABLE TIES
All Stainless Steel

Page 56, 57



METAL DETECTABLE CABLE TIES

Page 58



CABLE TIE MERCHANDISER
Assorted Colours

Page 59



CABLE TIE COMBO PACKS
Assorted Colours

Page 60

HOSE CLAMP MERCHANDISERS & PACKS



Modular Drawer Merchandisers
Wall Merchandisers
Hose Clamp Packs
Carded Clamps

Page 62



WORM DRIVE HOSE CLAMPS

Tridon worm drive hose clamps are industry leading and known for their trusted design and proven reliability. Commonly used in many heavy-duty hose sealing applications, they are available in various perforated and solid band designs.

Tridon worm drive clamps provide high strength, superior sealing and low free torque. Ideal for applications where high clamping force and even pressure distribution is required.



WORM DRIVE IDENTIFICATION AND SELECTION GUIDE

Tridon worm drive hose clamps are available in various band styles, band widths, material grades and sizes.

Important factors to consider for correct clamp selection include:

1. Band style
2. Perforations
3. Screw
4. Housing
5. Material grade



WORM DRIVE BAND TYPES

PERFORATED BAND

- Fully punched band
- 8mm and 12.7mm band widths
- Low free torque
- Used in automotive, industrial and general purpose applications

SOLID BAND

- Stamped band with smooth underside
- 9mm and 12.7mm band widths
- Rolled edge to prevent hose damage
- Ideal for use on soft hoses
- Used in European automotive and industrial applications

EFI EXTENDED TANG

- Fully punched band with extended tang
- 8mm band width
- Low free torque
- Ideal for use on soft hoses
- Used on fuel and vacuum hose applications

WORM DRIVE MATERIAL GRADES

PART STAINLESS STEEL

- 430 or 301 stainless steel band
 - Zinc plated mild steel or 430 or 301 stainless steel housing*
 - Zinc plated mild steel screws
 - Ideal for automotive, industrial or general purpose use
- *Mild steel housing used on limited part numbers

ALL STAINLESS STEEL

- 300 and 400 series stainless steel band, housing and screws
- For applications where added corrosion protection is required
- 316 stainless steel for ultimate corrosion protection
- Ideal for automotive, industrial, agricultural, chemical and general purpose applications

WORM DRIVE SERIES

MH & HS SERIES

- Part stainless steel
- Perforated band
- MH Micro band (8mm)
- HS Regular band (12.7mm)
- Size range 6 - 441mm



MAH & HAS SERIES

- Full stainless steel
- Perforated band
- MAH Micro band (8mm)
- HAS Regular band (12.7mm)
- Size range 6 - 441mm



M316 & H316 SERIES

- 316 stainless steel
- Perforated band
- M316 Micro band (8mm)
- H316 Regular band (12.7mm)
- Size range 6 - 441mm



EFI SERIES

- Part stainless steel
- Perforated band with extended tang
- 8mm band
- Size range 7 - 22mm



SMH & SHS SERIES

- Part stainless steel
- Solid band
- Automotive sizing
- SMH Micro band (9mm)
- SHS Regular band (12.7mm)
- Size range 6 - 89mm



MP SERIES

- Part stainless steel
- Solid band
- Micro band (9mm)
- Regular band (12.7mm)
- Size range 9.5 - 305mm



SMP SERIES

- Part stainless steel
- Solid band
- Micro band (9mm)
- Regular band (12.7mm)
- Size range 9.5 - 305mm



PERFORATED BAND CLAMPS

Part Stainless Steel

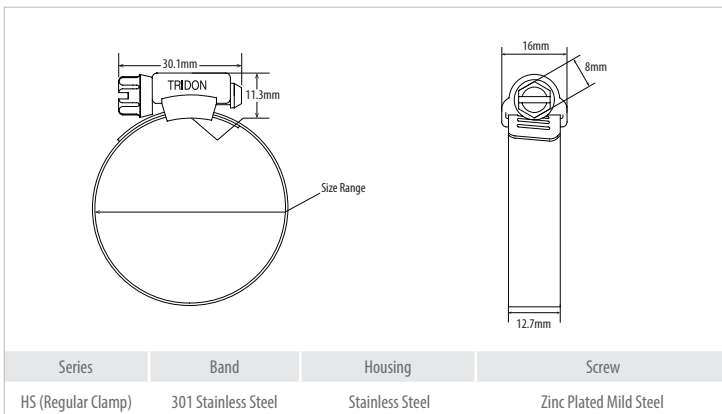
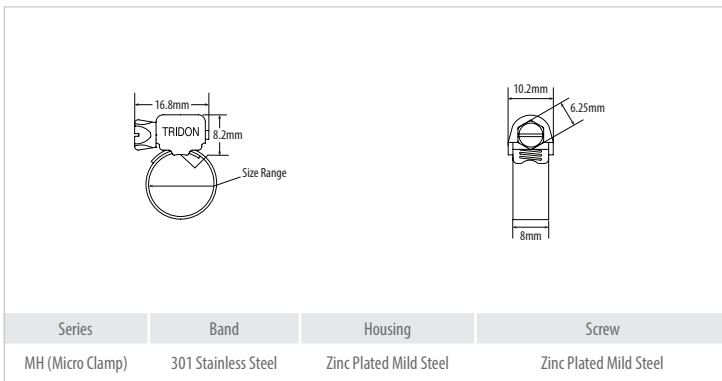
MH/HS Series







Micro Clamp (MH)

Regular Clamp (HS)

- 301 stainless steel band
- Zinc plated mild steel (MH) or stainless steel (HS) housing
- Zinc plated mild steel screws
- Hexagonal head with screwdriver slot
- Built to SAE J1508 standard
- Low free torque for ease of installation
- High strength for reliable sealing
- Superior sealing, conforms to hose
- For automotive, industrial and general purpose use
- Commonly used in OE applications
- **Made in Australia**



HS Series

Size Range mm	BOX 		BULK 		CARD 		TAG 		
	Pack of 10	Pack of 20	Bulk		Carded		Pack of 10	Bulk	
	Part No.	Part No.	Part No.	Box Qty	Part No.	Qty Per Card	Part No.	Part No.	Box Qty
MH MICRO CLAMP 8mm Band Width									
6 - 16	MH004P	MH004-20	MH004	500	MH004C	2	MH004T-10	MH004T	50
11 - 18	MH005P	MH005-20	MH005	500	MH005C	2	MH005T-10	MH005T	50
11 - 22	MH006P	MH006-20	MH006	500	MH006C	2	MH006T-10	MH006T	50
13 - 25	MH008P		MH008	500					
14 - 27	MH010P		MH010	500					
17 - 32	MH012P		MH012	500					
18 - 38	MH016P		MH016	500					
22 - 45	MH020P		MH020	500					
33 - 51	MH024P		MH024	500					
40 - 57	MH028P		MH028	500					
46 - 64	MH032P		MH032	500					
52 - 70	MH036P		MH036	300					
59 - 76	MH040P		MH040	300					
65 - 89	MH048P		MH048	300					
HS REGULAR CLAMP 12.7mm Band Width									
11 - 22	HS006P	HS006-20	HS006	500					
13 - 25	HS008P	HS008-20	HS008	500			HS008T-10	HS008T	50
14 - 27	HS010P	HS010-20	HS010	500	HS010C	2	HS010T-10	HS010T	50
18 - 32	HS012P	HS012-20	HS012	500	HS012C	2	HS012T-10	HS012T	50
21 - 38	HS016P	HS016-20	HS016	500	HS016C	2	HS016T-10	HS016T	50
21 - 44	HS020P	HS020-20	HS020	500	HS020C	1	HS020T-10	HS020T	50
27 - 51	HS024P	HS024-20	HS024	500	HS024C	1	HS024T-10	HS024T	50
33 - 57	HS028P	HS028-20	HS028	500	HS028C	1	HS028T-10	HS028T	50
40 - 64	HS032P	HS032-20	HS032	500	HS032C	1	HS032T-10	HS032T	50
46 - 70	HS036P	HS036-20	HS036	300			HS036T-10	HS036T	50
52 - 76	HS040P		HS040	300			HS040T-10	HS040T	20
59 - 83	HS044P		HS044	300			HS044T-10	HS044T	20
65 - 89	HS048P		HS048	300			HS048T-10	HS048T	20
71 - 95	HS052P		HS052	300					
78 - 102	HS056P		HS056	300				HS056T	20
84 - 108	HS060P		HS060	300					
90 - 114	HS064P		HS064	200				HS064T	20
103 - 127	HS072P		HS072	200				HS072T	20
117 - 140	HS080P		HS080	100				HS080T	20
125 - 146	HS084P		HS084	100					
106 - 152	HS088P		HS088	100					
115 - 165	HS096P		HS096	100					
133 - 178	HS104P		HS104	100				HS104T	20
146 - 197			HS116	10					
159 - 206			HS120	10					
175 - 217			HS128	10					
181 - 225			HS136	10					
206 - 251			HS152	10					
222 - 273			HS164	10					
260 - 311			HS188	10					
267 - 318			HS192	10					
298 - 349			HS212	10					
391 - 441			HS270	10					



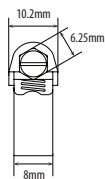
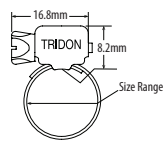
PERFORATED BAND CLAMPS

All Stainless Steel

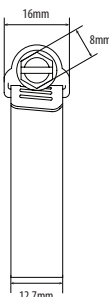
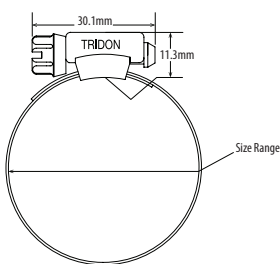
MAH/HAS Series






- 301 stainless steel band
- 301 stainless steel housing
- 305 stainless steel screw
- Hexagonal head with screwdriver slot
- All stainless steel for corrosion protection
- Built to SAE J1508 standard
- Low free torque for ease of installation
- High strength for reliable sealing
- Superior sealing, conforms to hose
- For automotive, industrial, agricultural, chemical and general purpose use where added corrosion protection is required
- Commonly used in OE applications
- **Made in Australia**



Series	Band	Housing	Screw
MAH (Micro Clamp)	301 Stainless Steel	301 Stainless Steel	305 Stainless Steel



Series	Band	Housing	Screw
HAS (Regular Clamp)	301 Stainless Steel	301 Stainless Steel	305 Stainless Steel

Size Range mm	BOX 		BULK 	CARD 		
	Pack of 10	Pack of 100	Bulk		Carded	
	Part No.	Part No.	Part No.	Box Qty	Part No.	Qty Per Card

MAH MICRO CLAMP 8mm Band Width

6 - 16	MAH004P	MAH004-100	MAH004	500	MAH004C	2
11 - 18	MAH005P	MAH005-100	MAH005	500	MAH005C	2
11 - 22	MAH006P	MAH006-100	MAH006	500	MAH006C	2
13 - 25	MAH008P		MAH008	500		
14 - 27	MAH010P		MAH010	500		
17 - 32	MAH012P		MAH012	500		
18 - 38	MAH016P		MAH016	500		
22 - 45	MAH020P		MAH020	500		
33 - 51	MAH024P		MAH024	500		
40 - 57	MAH028P		MAH028	500		
46 - 64	MAH032P		MAH032	500		
52 - 70	MAH036P		MAH036	300		
59 - 76	MAH040P		MAH040	300		

HAS REGULAR CLAMP 12.7mm Band Width

11 - 22	HAS006P	HAS006-100	HAS006	500		
13 - 25	HAS008P	HAS008-100	HAS008	500	HAS008C	2
14 - 27	HAS010P	HAS010-100	HAS010	500	HAS010C	2
18 - 32	HAS012P	HAS012-100	HAS012	500	HAS012C	2
21 - 38	HAS016P	HAS016-100	HAS016	500	HAS016C	2
21 - 44	HAS020P	HAS020-100	HAS020	500	HAS020C	1
27 - 51	HAS024P	HAS024-100	HAS024	500	HAS024C	1
33 - 57	HAS028P	HAS028-100	HAS028	500	HAS028C	1
40 - 64	HAS032P	HAS032-100	HAS032	500	HAS032C	1
46 - 70	HAS036P	HAS036-100	HAS036	300	HAS036C	1
52 - 76	HAS040P		HAS040	300		
59 - 83	HAS044P		HAS044	300		
65 - 89	HAS048P		HAS048	300		
71 - 95	HAS052P		HAS052	300		
78 - 102	HAS056P		HAS056	300		
84 - 108	HAS060P		HAS060	300		
90 - 114	HAS064P		HAS064	200		
103 - 127	HAS072P		HAS072	200		
117 - 140	HAS080P		HAS080	100		
125 - 146	HAS084P		HAS084	100		
106 - 152	HAS088P		HAS088	100		
115 - 165	HAS096P		HAS096	100		
133 - 178	HAS104P		HAS104	100		
146 - 197			HAS116	10		
159 - 206			HAS120	10		
175 - 217			HAS128	10		
181 - 225			HAS136	10		
206 - 251			HAS152	10		
222 - 273			HAS164	10		
260 - 311			HAS188	10		
267 - 318			HAS192	10		
298 - 349			HAS212	10		
344 - 395			HAS241	10		
391 - 441			HAS270	10		



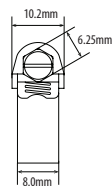
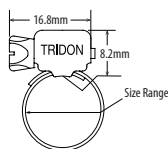
PERFORATED BAND CLAMPS

316 All Stainless Steel

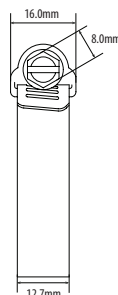
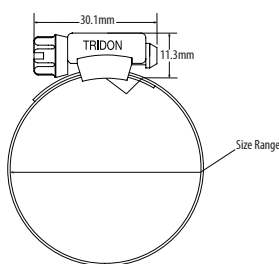
M316/H316 Series



- 316 stainless steel band
- 316 stainless steel housing
- 316 stainless steel screw
- Hexagonal head with screwdriver slot
- 316 stainless steel for ultimate corrosion protection
- High resistance to chemicals and chlorides
- Built to SAE J1508 standard
- Low free torque for ease of installation
- High strength for reliable sealing
- Superior sealing, conforms to hose
- For marine, industrial, plumbing, agricultural, chemical, food production, manufacturing and applications where ultimate corrosion protection is required
- **Made in Australia**



Series	Band	Housing	Screw
M316 (Micro Clamp)	316 Stainless Steel	316 Stainless Steel	316 Stainless Steel



Series	Band	Housing	Screw
H316 (Regular Clamp)	316 Stainless Steel	316 Stainless Steel	316 Stainless Steel

Size Range mm	BOX	BULK	
	Pack of 10	Bulk	
	Part No.	Part No.	Box Qty

M316 MICRO CLAMP 8mm Band Width

6 - 16	M316-004P	M316-004	500
11 - 18	M316-005P	M316-005	500
11 - 22	M316-006P	M316-006	500
13 - 25	M316-008P	M316-008	500
14 - 27	M316-010P	M316-010	500
17 - 32	M316-012P	M316-012	500
18 - 38	M316-016P	M316-016	500
22 - 45	M316-020P	M316-020	500
33 - 51	M316-024P	M316-024	500
40 - 57	M316-028P	M316-028	500
46 - 64	M316-032P	M316-032	500
52 - 70	M316-036P	M316-036	300
59 - 76	M316-040P	M316-040	300

H316 REGULAR CLAMP 12.7mm Band Width

6 - 16	H316-006P	H316-006	500
13 - 25	H316-008P	H316-008	500
14 - 27	H316-010P	H316-010	500
18 - 32	H316-012P	H316-012	500
21 - 38	H316-016P	H316-016	500
21 - 44	H316-020P	H316-020	500
27 - 51	H316-024P	H316-024	500
33 - 57	H316-028P	H316-028	500
40 - 64	H316-032P	H316-032	500
46 - 70	H316-036P	H316-036	300
52 - 76	H316-040P	H316-040	300
59 - 83	H316-044P	H316-044	300
65 - 89	H316-048P	H316-048	300
71 - 95	H316-052P	H316-052	300
78 - 102	H316-056P	H316-056	300
84 - 108	H316-060P	H316-060	300
90 - 114	H316-064P	H316-064	300
103 - 127	H316-072P	H316-072	200
117 - 140	H316-080P	H316-080	100
106 - 152	H316-088P	H316-088	100
115 - 165	H316-096P	H316-096	100
133 - 178	H316-104P	H316-104	100
146 - 197		H316-116	10
159 - 206		H316-120	10
175 - 217		H316-128	10
181 - 225		H316-136	10
206 - 251		H316-152	10
222 - 273		H316-164	10
260 - 311		H316-188	10
267 - 318		H316-192	10
298 - 349		H316-212	10
391 - 441		H316-270	10

SOLID BAND CLAMPS

Part Stainless Steel Automotive Sizing

SMH/SHS Series



- 430 stainless steel band
- 430 stainless steel housing
- Zinc plated mild steel screw
- Hexagonal head with screwdriver slot
- Heavy duty, non-perforated band
- Rolled edge and underside to prevent hose damage
- Advanced design for superior sealing
- Australian industry standard sizing and part numbers
- For automotive, industrial and general purpose use
- Ideal for use on soft rubber or silicone hose applications
- **Made in Australia***



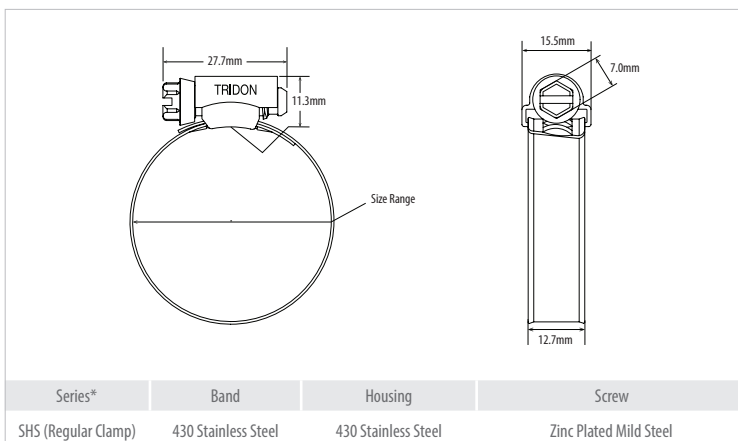
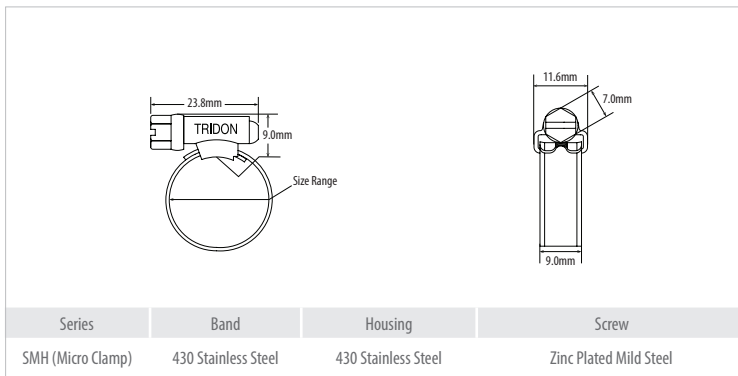
Size Range mm	BOX	
	Pack of 10	
	Part No.	

SMH MICRO CLAMP 9mm Band Width

6 - 16	SMH004P
11 - 18	SMH005P
11 - 22	SMH006P

SHS REGULAR CLAMP* 12.7mm Band Width

13 - 25	SHS008P
14 - 27	SHS010P
18 - 32	SHS012P
21 - 38	SHS016P
21 - 44	SHS020P
27 - 51	SHS024P
33 - 57	SHS028P
40 - 64	SHS032P
46 - 70	SHS036P
52 - 76	SHS040P
59 - 83	SHS044P
65 - 89	SHS048P



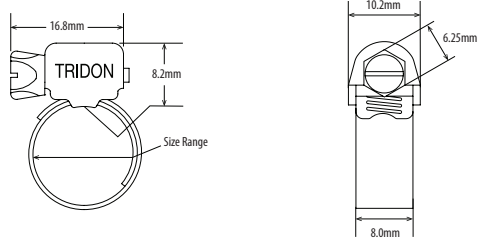
EXTENDED TANG MICRO CLAMPS

Part Stainless Steel

EFI Series



- 301 stainless steel band with extended tang
- Zinc plated mild steel housing
- Zinc plated mild steel screw
- Hexagonal head with screwdriver slot
- Perforated band with an extended tang to prevent damage to soft hoses
- Commonly known as EFI clamps due to their use in fuel hose applications
- Low free torque for ease of installation
- High strength for reliable sealing
- Extended tang for even pressure distribution conforming to hose
- For automotive, industrial and general purpose use
- Ideal for use on small soft rubber and fuel hose applications
- **Made in Australia**



Series	Band	Housing	Screw
EFI Series	301 Stainless Steel	Zinc Plated Mild Steel	Zinc Plated Mild Steel

Size Range mm	BOX		TAG
	Pack of 10	Pack of 20	Pack of 10
	Part No.	Part No.	Part No.

EFI CLAMP

7 - 15	EFI004P	EFI004-20	EFI004T
9 - 17	EFI005P	EFI005-20	EFI005T
14 - 22	EFI006P	EFI006-20	EFI006T

Size Range mm	BULK	
	Bulk	
	Part No.	Box Qty

EFI CLAMP

7 - 15	EFI004	500
9 - 17	EFI005	500
14 - 22	EFI006	500



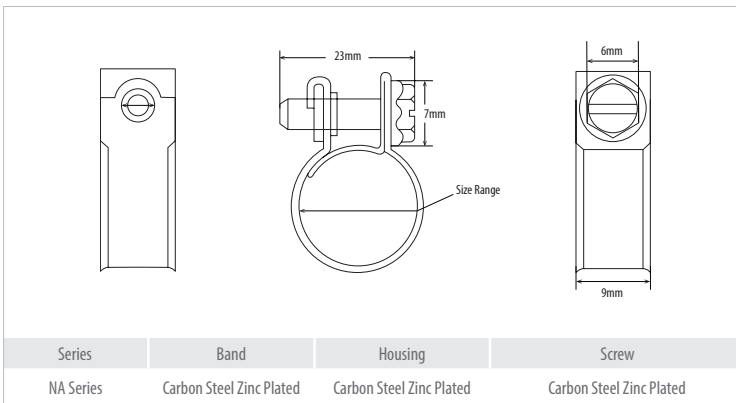
NUT AND BOLT CLAMPS

Carbon Steel Zinc Plated

NA Series



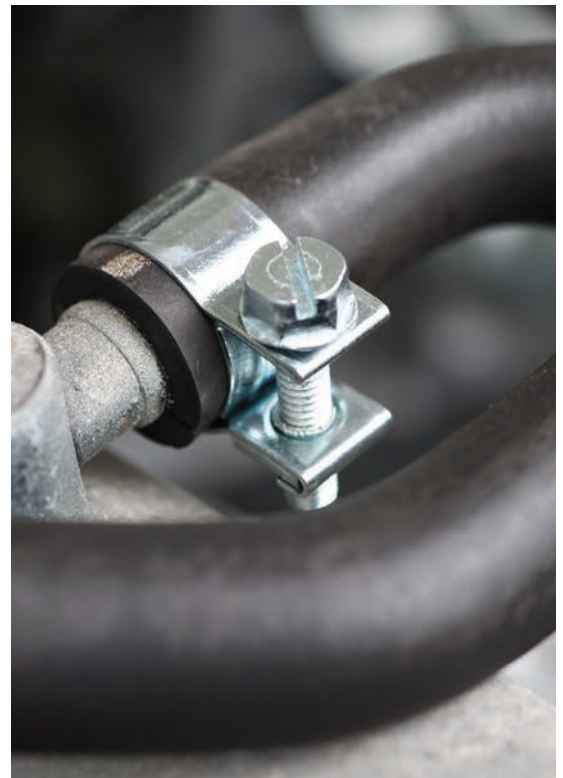
- Carbon steel zinc plated band
- Carbon steel zinc plated housing
- Carbon steel zinc plated screw
- Solid band nut and bolt design
- Retained nut with bolt construction
- High strength for reliable sealing
- Rolled edge band to prevent hose damage
- For automotive, industrial and general purpose use
- Commonly used in OE applications
- Ideal for use on small soft rubber, vacuum and fuel hose applications



Size Range mm	BOX	BULK	
	Pack of 10	Bulk	
	Part No.	Part No.	Box Qty

NA SERIES

7 - 9	NA0709P	NA0709	100
8 - 10	NA0810P	NA0810	100
9 - 11	NA0911P	NA0911	100
12 - 14	NA1214P	NA1214	100
13 - 15	NA1315P	NA1315	100
14 - 16	NA1416P	NA1416	100



TRI STRENGTH CLAMPS

All Stainless Steel

TS Series

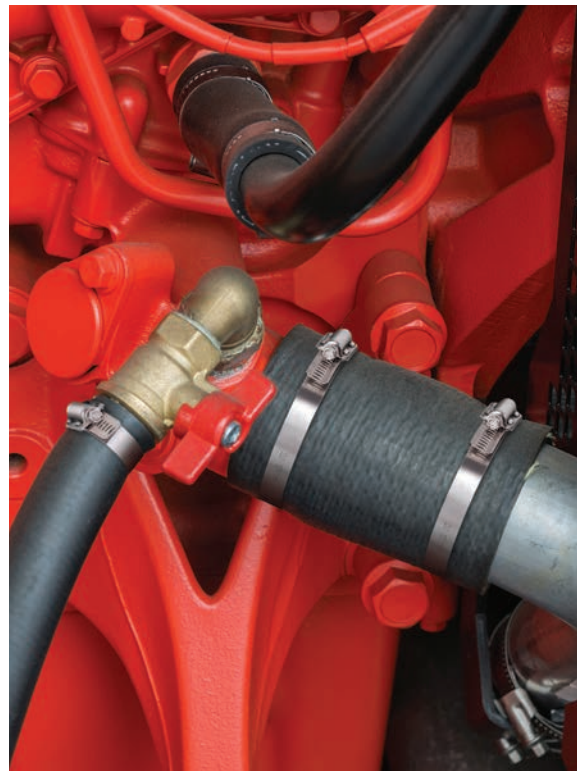
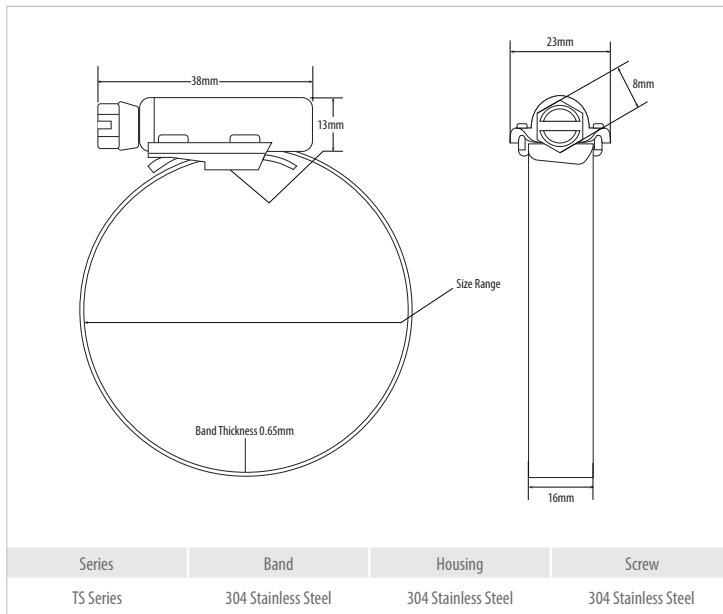


- 304 stainless steel heavy duty band
- 304 stainless steel housing
- 304 stainless steel screw
- Hexagonal head with screwdriver slot
- Heavy duty tri strength wide band and housing design
- Heavy gauge construction for high strength and reliable sealing
- Low free torque for ease of installation
- All stainless steel for corrosion protection
- For heavy duty automotive, trucking, mining, agricultural and industrial use
- Ideal for applications where added corrosion protection is required

Size Range mm	BOX	BULK	
	Pack of 10	Bulk	
	Part No.	Part No.	Box Qty

TS SERIES

27 - 51	TS51P	TS51	500
33 - 57	TS57P	TS57	500
40 - 64	TS64P	TS64	250
59 - 83	TS83P	TS83	250
71 - 95	TS95P	TS95	250
78 - 102	TS102P	TS102	100
91 - 114	TS114P	TS114	100
102 - 127	TS127P	TS127	100
143 - 216	TS216P	TS216	50
181 - 254	TS254P	TS254	50
238 - 311	TS311P	TS311	50



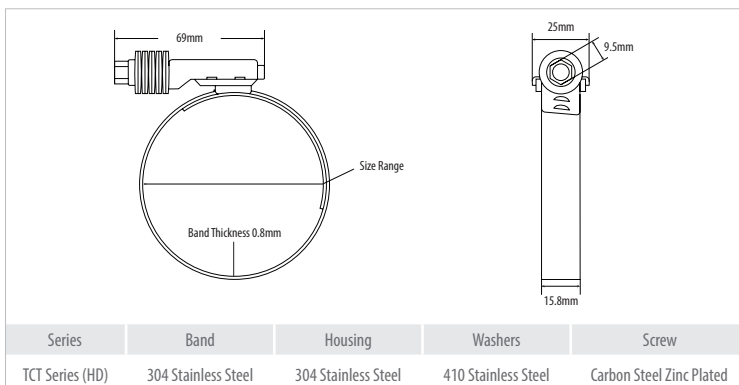
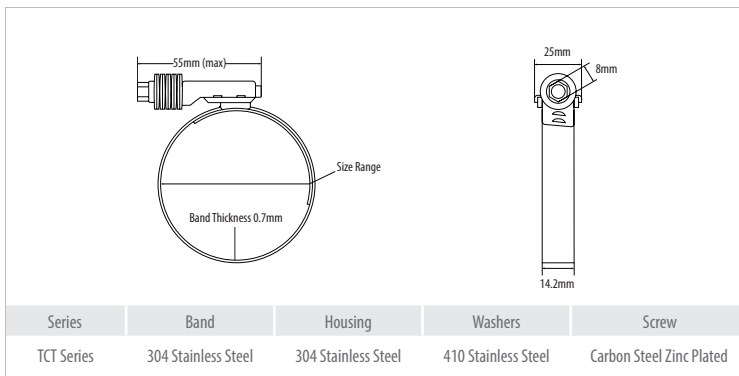
CONSTANT TENSION CLAMPS

Part Stainless Steel

TCT Series



- 304 stainless steel heavy duty band (14.2mm and 15.8mm)
- 304 stainless steel housing
- 410 stainless steel spring washers
- Carbon steel zinc plated hexagonal head screw
- Heavy duty constant tension spring loaded perforated band clamp
- Spring loaded screw design for even pressure distribution and constant tension in fluctuating temperatures
- Available in two band widths (14.2mm and 15.8mm)
- Extended band tang to prevent damage to soft hoses
- High strength for reliable sealing
- Commonly used on exhaust systems, radiator and intercooler pipes
- For heavy duty automotive, truck, mining, agricultural and industrial use
- Ideal for use in high temperature hose environments including radiator, intercooler and exhaust applications



Size Range mm	BOX	BULK	
	Pack of 10	Bulk	
	Part No.	Part No.	Box Qty

TCT SERIES 14.2mm Band Width

14-27	TCT010P	TCT010	100
16-32	TCT012P	TCT012	100
21-38	TCT016P	TCT016	100
20-44	TCT020P	TCT020	100
27-51	TCT024P	TCT024	100
33-57	TCT028P	TCT028	100
40-63	TCT032P	TCT032	100
46-70	TCT036P	TCT036	100
52-76	TCT040P	TCT040	100
59-82	TCT044P	TCT044	100
65-89	TCT048P	TCT048	100

Size Range mm	BOX	BULK	
	Pack of 10	Bulk	
	Part No.	Part No.	Box Qty

TCT SERIES HEAVY DUTY 15.8mm Band Width

25-43	TCT1015P	TCT1015	50
32-54	TCT1020P	TCT1020	50
45-67	TCT1025P	TCT1025	25
57-79	TCT1030P	TCT1030	25
70-92	TCT1035P	TCT1035	25
83-105	TCT1040P	TCT1040	25
95-118	TCT1045P	TCT1045	25
108-130	TCT1050P		
121-143	TCT1055P		
133-156	TCT1060P		
146-168	TCT1065P		
159-181	TCT1070P		
172-194	TCT1075P		
184-206	TCT1080P		
197-219	TCT1085P		
210-232	TCT1090P		
218-265	TCT1095P		

MULTI PURPOSE CLAMPS

Part Stainless Steel

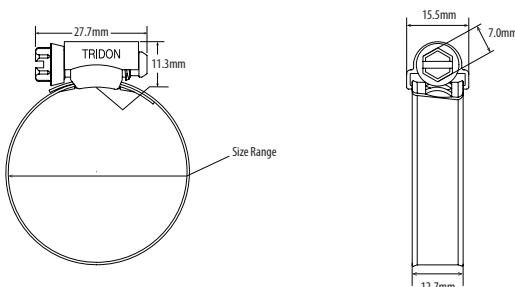
MP Series



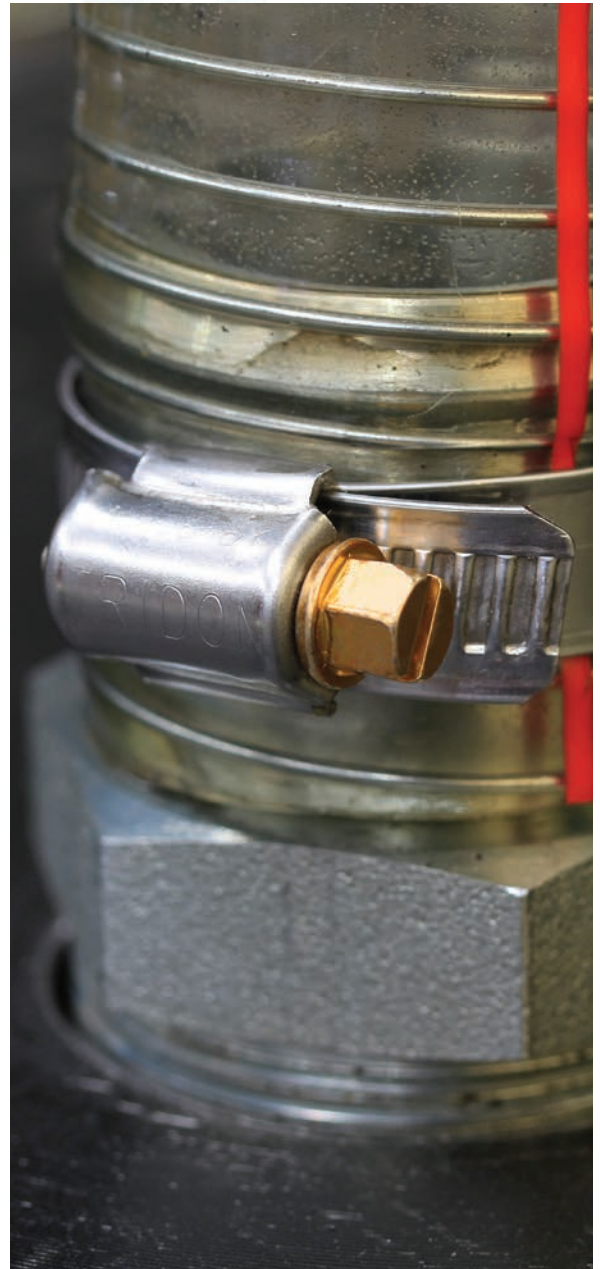
- 430 stainless steel band
- 430 stainless steel housing
- Zinc plated mild steel screw
- Hexagonal head with screwdriver slot
- Heavy duty, non-perforated band and housing
- Rolled edge and smooth underside to prevent hose damage
- Technically advanced design improves sealing capacity
- Available with removable safety collar to prevent screwdriver slip
- For industrial, hardware, automotive and general purpose use
- Commonly used in OE applications
- **Made in Australia***








Series	Band	Housing	Screw
MP (Micro Clamp)	430 Stainless Steel	430 Stainless Steel	Zinc Plated Mild Steel



Series*	Band	Housing	Screw
MP (Regular Clamp)	430 Stainless Steel	430 Stainless Steel	Zinc Plated Mild Steel



Size Range mm	BOX 	BULK 	CARD 	BOX 	BULK 		
	Non-Collared			Removable Safety Collar			
	Pack of 10		Bulk	Carded		Bulk	
	Part No.	Part No.	Box Qty	Part No.	Qty Per Card	Part No.	Part No.

MP MICRO CLAMP 9mm Band Width

9.5 - 12	MP000P	MP000	500	MP000C	2	MPC000P	MPC000	500
11 - 16	MPM00P	MPM00	500	MPM00C	2	MPCM00P	MPCM00	500
13 - 20	MP00P	MP00	500	MP00C	2	MPC00P	MPC00	500

MP REGULAR CLAMP* 12.7mm Band Width

16 - 24	MP0AP	MP0A	500			MPC0AP	MPC0A	500
16 - 27	MP0P	MP0	500	MP0C	2	MPC0P	MPC0	500
18 - 25	MP0XP	MP0X	500	MP0XC	2	MPC0XP	MPC0X	500
22 - 32	MP1AP	MP1A	500	MP1AC	2	MPC1AP	MPC1A	500
22 - 38	MP1P	MP1	500	MP1C	2	MPC1P	MPC1	500
30 - 42	MP1XP	MP1X	500	MP1XC	1	MPC1XP	MPC1X	500
35 - 48	MP2AP	MP2A	500	MP2AC	1	MPC2AP	MPC2A	500
35 - 53	MP2P	MP2	500	MP2C	1	MPC2P	MPC2	500
40 - 57	MP2XP	MP2X	500	MP2XC	1	MPC2XP	MPC2X	500
52 - 70	MP3P	MP3	300			MPC3P	MPC3	300
65 - 90	MP4P	MP4	30			MPC4P	MPC4	300
85 - 110	MP5P	MP5	300			MPC5P	MPC5	300
105 - 130	MP6P	MP6	200			MPC6P	MPC6	200
130 - 155	MP7P	MP7	100			MPC7P	MPC7	100
155 - 180	MP8P	MP8	100			MPC8P	MPC8	100
180 - 205		MP9	10				MPC9	10
205 - 230		MP10	10				MPC10	10
230 - 255		MP11	10				MPC11	10
255 - 280		MP12	10				MPC12	10
280 - 305		MP13	10				MPC13	10



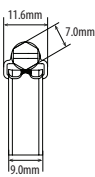
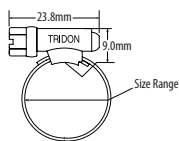
MULTI PURPOSE CLAMPS

All Stainless Steel

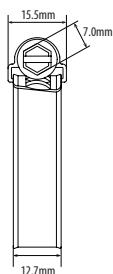
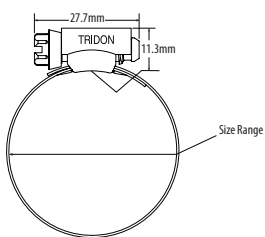
SMP Series








- 304 stainless steel band
- 301 or 304 stainless steel housing
- 302 or 304 stainless steel screw
- Hexagonal head with screwdriver slot
- Heavy duty, non-perforated band and housing
- All stainless steel for corrosion protection
- Available with removable safety collar to prevent screwdriver slip
- Rolled edge and smooth underside to prevent hose damage
- Technically advanced design improves sealing capacity
- For industrial, hardware, automotive, agricultural, chemical and general purpose use where added corrosion protection is required
- Commonly used in OE applications
- **Made in Australia***



Series	Band	Housing	Screw
SMP (Micro Clamp)	304 Stainless Steel	304 Stainless Steel	302 Stainless Steel



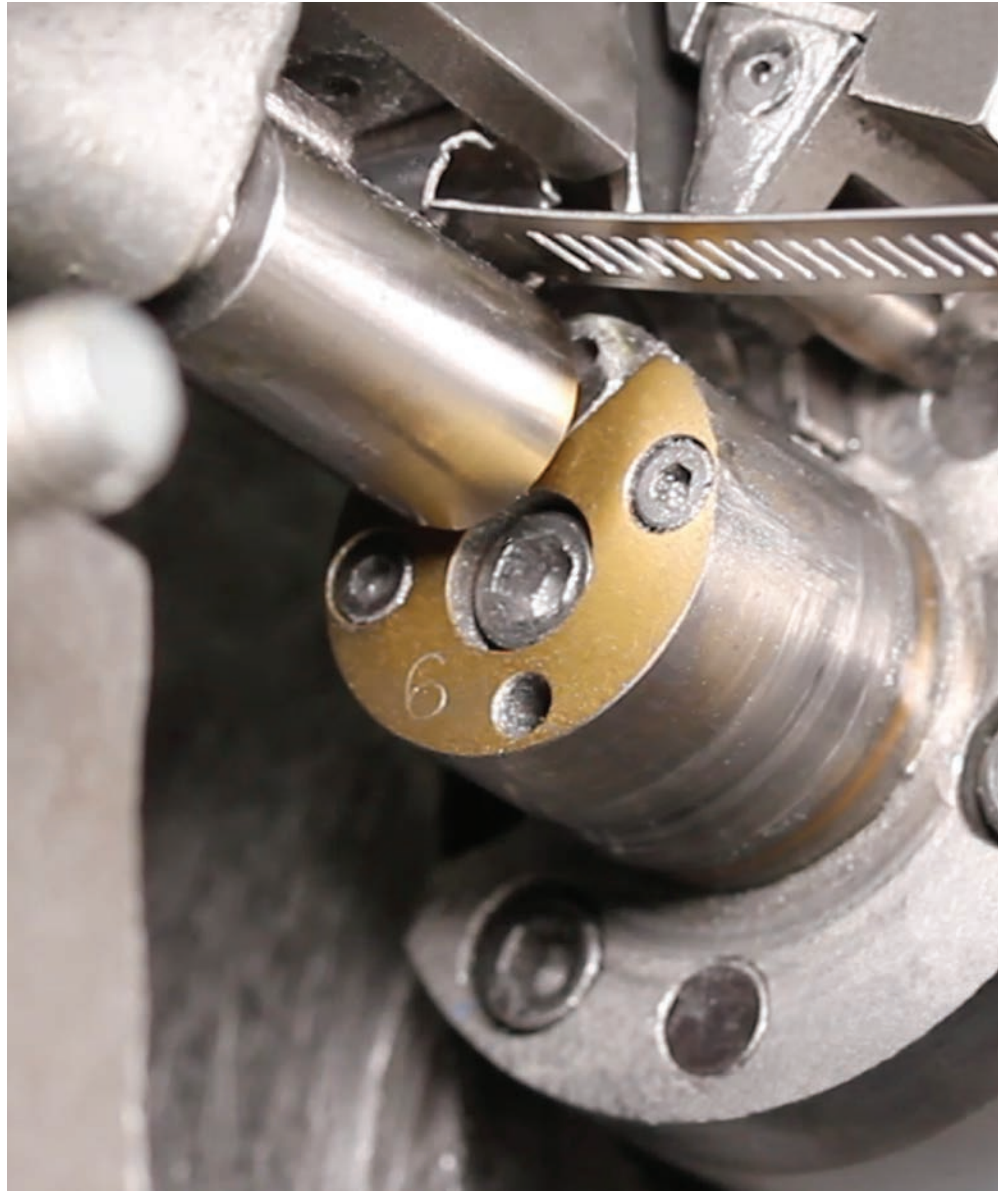
Series*	Band	Housing	Screw
SMP (Regular Clamp)	304 Stainless Steel	301 Stainless Steel	304 Stainless Steel

Size Range mm	BOX 			BULK 			CARD 		BOX 			BULK 		
	Non-Collared						Removable Safety Collar							
	Pack of 10			Bulk			Carded		Pack of 10			Bulk		
	Part No.	Part No.	Box Qty	Part No.	Qty Per Card	Part No.	Part No.	Box Qty	Part No.	Part No.	Box Qty			
SMP MICRO CLAMP 9mm Band Width														
9.5 - 12	SMP00P	SMP00	500	SMP00C	2	SMPC00P	SMPC00	500						
11 - 16	SMPM0P	SMPM0	500	SMPM0C	2	SMPCM0P	SMPCM0	500						
13 - 20	SMP00P	SMP00	500	SMP00C	2	SMPC00P	SMPC00	500						
SMP REGULAR CLAMP* 12.7mm Band Width														
16 - 24	SMP0AP	SMP0A	500			SMPC0AP	SMPC0A	500						
16 - 27	SMP0P	SMP0	500	SMP0C	2	SMPC0P	SMPC0	500						
22 - 32	SMP1AP	SMP1A	500	SMP1AC	2	SMPC1AP	SMPC1A	500						
22 - 38	SMP1P	SMP1	500	SMP1C	2	SMPC1P	SMPC1	500						
30 - 42	SMP1XP	SMP1X	500	SMP1XC	1	SMPC1XP	SMPC1X	500						
35 - 48	SMP2AP	SMP2A	500	SMP2AC	1	SMPC2AP	SMPC2A	500						
35 - 53	SMP2P	SMP2	500	SMP2C	1	SMPC2P	SMPC2	500						
40 - 57	SMP2XP	SMP2X	500	SMP2XC	1	SMPC2XP	SMPC2X	500						
52 - 70	SMP3P	SMP3	300			SMPC3P	SMPC3	300						
65 - 90	SMP4P	SMP4	300			SMPC4P	SMPC4	300						
85 - 110	SMP5P	SMP5	300			SMPC5P	SMPC5	300						
105 - 130	SMP6P	SMP6	200			SMPC6P	SMPC6	200						
130 - 155	SMP7P	SMP7	100			SMPC7P	SMPC7	100						
155 - 180	SMP8P	SMP8	100			SMPC8P	SMPC8	100						
180 - 205		SMP9	10				SMPC9	10						
205 - 230		SMP10	10				SMPC10	10						
230 - 255		SMP11	10				SMPC11	10						
255 - 280		SMP12	10				SMPC12	10						
280 - 305		SMP13	10				SMPC13	10						





Custom Built Worm Drive Hose Clamps



Manufacturing in Australia, Tridon has the unique ability to customise products and deliver bespoke clamping solutions for ever-changing requirements and environments.

Tridon can design and build hose clamps locally to provide tailored solutions for complex fastening and sealing requirements, including short-run custom hose clamps.

Tridon is able to deliver specialised worm drive hose clamps in various material grades, shapes, sizes, band widths and screw designs to meet your needs.

A screenshot of a "TRIDON CUSTOM CLAMP DATA SHEET" form. The form is titled "TRIDON CUSTOM CLAMP DATA SHEET" and "TRIDON" with a logo. It features two diagrams of hose clamps at the top. Below the diagrams are several sections with green headers and input fields for various specifications, including material, size, and design details.

For specialised clamping enquiries scan the QR code and download the hose clamp data form or complete the form on page 71 and email to sales@tridon.com.au Alternatively, contact Tridon customer service on **1300 362 263** or your Tridon sales manager.



Special Shapes and Sizes



Extended Head



Reduced Perforations

Material Grades

- Full and part stainless options
- 430, 304 and 316 stainless steel options available
- Part stainless clamps feature mild steel housing and/or screw
- 316 stainless steel for maximum corrosion protection

Reduced Number of Perforations

- Designed to fit a specific diameter
- Upon tightening there are no exposed perforations
- Enables a **solid band** solution for a perforated band clamp

Extended and Tamper Proof Head

- Extended head screw for ease of screwdriver access (particularly automatic screwdrivers)
- Assists with high speed assembly on production lines

Special Shapes and Sizes

- Unique sizes can be made to mould or contain unusual shapes
- Variety of different bending and forming techniques available

Size, Band Style and Width

- Starting at 6mm Tridon can manufacture hose clamps to almost any size
- Perforated or solid band variants for a variety of applications
- 8.0mm, 9.0mm and 12.7mm band widths available





T-BOLT HOSE CLAMPS

Tridon T-Bolt hose clamps feature a rolled edge band and bridge, solid trunnions*, straight bolt and collar. The T-Bolt design enables controlled, smooth and even tensioning, low and reliable free torque, whilst delivering ultimate sealing and hose protection under large clamping loads.



T-BOLT IDENTIFICATION AND SELECTION GUIDE

Tridon T-Bolt hose clamps are available in various band styles, band widths, material grades and sizes. Important factors to consider for correct clamp selection include:

1. Rolled edges for ultimate hose protection
2. Unique bridge design for smooth and even tensioning and performance
3. Solid trunnions for ultimate tensioning force*
4. Heavy duty straight bolt for consistent tensioning and control
5. Low and reliable free torque for the optimum ease of fit
6. Polished stainless steel premium finish
7. High strength spot welds

* TTBY, TTBS and TTBU range only



T-BOLT MATERIAL GRADES

PART STAINLESS STEEL

- 430 & 304 stainless steel band and bridge
- High tensile carbon steel zinc plated bolt
- Carbon steel zinc plated collar and trunnions
- For heavy duty automotive, truck, mining, marine, industrial, farming, irrigation, agricultural, manufacturing, construction and DIY applications

ALL STAINLESS STEEL

- 304 or 316 stainless steel band and bridge
- High tensile 316 stainless steel bolt
- 300 or 316 stainless steel collar and trunnions
- For applications where added corrosion protection is required
- 316 stainless steel for ultimate corrosion protection
- Ideal for use where additional sealing strength and corrosion protection is required



T-BOLT SERIES

TTBY SERIES

Heavy Duty Applications

- Part stainless steel
- Heavy duty
- 4 band widths and bolt sizes
- Size range 17 - 317mm
- Custom larger sizes can be built to order



TTBU SERIES

Automotive Performance Applications

- Part stainless steel
- Heavy duty
- 2 band widths and bolt sizes
- Size range 29 - 85mm
- For turbocharging, intercooler, air intake, radiator and exhaust pipes



TTBS SERIES

Heavy Duty Applications

- All stainless steel
- Heavy duty
- 4 band widths and bolt sizes
- Size range 17 - 304mm
- 316 stainless steel and custom larger sizes can be built to order



TTBX SERIES

Spring T-Bolt

- Part stainless steel
- Heavy duty constant tension spring design
- Size range 51 - 224mm
- For use in high temperature hose environments including radiator, intercooler and exhaust applications



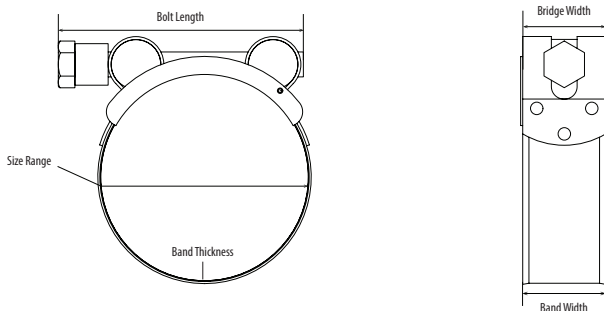
T-BOLT CLAMPS

Part Stainless Steel

TTBY Series





- 430 stainless steel band
- 430 stainless steel bridge
- High tensile carbon steel zinc plated bolt
- Carbon steel zinc plated collar
- Carbon steel zinc plated trunnions
- For applications where large tightening forces are required
- High strength wide band for superior sealing under large clamping loads
- Rolled edge to prevent hose damage
- Hex bolt, collar and solid trunnion design for smooth and even tensioning, low and reliable free torque
- Extra solid construction with the highest grade materials and three welds per band on larger sizes
- For heavy duty automotive, truck, mining, marine, industrial, farming, irrigation, agriculture, manufacturing, construction and DIY applications
- Ideal for use in high pressure hose applications or where additional sealing strength is required



Series	Band	Bridge	Bolt	Collar	Trunnions	
TTBY (T-Bolt Clamp)	430 Stainless Steel	430 Stainless Steel	Carbon Steel Zinc Plated	Carbon Steel Zinc Plated	Carbon Steel Zinc Plated	
REF:	Band Width	Bridge Width	Band Thickness	Bolt	Bolt Length	Bolt Head Size
1	16mm	18mm	0.7mm	M5	40mm	8mm
2	20mm	22mm	0.7mm	M6	55mm	10mm
3	24mm	27mm	1.0mm	M8	80mm	13mm
4	26mm	29mm	1.2mm	M10	105mm	17mm



REF	Size Range mm	BOX 		REF	Size Range mm	BOX 	
		Part No.	Qty			Part No.	Qty
TTBY SERIES				TTBY SERIES			
1	17 - 19	TTBY17-19P	10	3	80 - 85	TTBY80-85P	10
1	18 - 20	TTBY18-20P	10	3	83 - 88	TTBY83-88P	10
1	20 - 22	TTBY20-22P	10	3	86 - 91	TTBY86-91P	10
1	21 - 23	TTBY21-23P	10	3	89 - 94	TTBY89-94P	10
1	23 - 25	TTBY23-25P	10	3	92 - 97	TTBY92-97P	10
1	24 - 26	TTBY24-26P	10	3	95 - 100	TTBY95-100P	10
1	26 - 28	TTBY26-28P	10	3	98 - 103	TTBY98-103P	10
1	27 - 29	TTBY27-29P	10	3	101 - 107	TTBY101-107P	10
2	29 - 31	TTBY29-31P	10	3	104 - 112	TTBY104-112P	10
2	30 - 33	TTBY30-33P	10	3	108 - 116	TTBY108-116P	10
2	32 - 35	TTBY32-35P	10	3	113 - 121	TTBY113-121P	10
2	34 - 37	TTBY34-37P	10	3	117 - 125	TTBY117-125P	10
2	36 - 39	TTBY36-39P	10	3	122 - 130	TTBY122-130P	10
2	38 - 41	TTBY38-41P	10	3	126 - 134	TTBY126-134P	10
2	40 - 43	TTBY40-43P	10	4	131 - 139	TTBY131-139P	5
2	42 - 45	TTBY42-45P	10	4	140 - 148	TTBY140-148P	5
2	44 - 47	TTBY44-47P	10	4	149 - 161	TTBY149-161P	5
2	46 - 49	TTBY46-49P	10	4	162 - 174	TTBY162-174P	5
2	48 - 51	TTBY48-51P	10	4	170 - 180	TTBY170-180P	5
2	50 - 53	TTBY50-53P	10	4	172 - 184	TTBY172-184P	5
2	52 - 55	TTBY52-55P	10	4	175 - 187	TTBY175-187P	5
2	54 - 57	TTBY54-57P	10	4	188 - 200	TTBY188-200P	5
2	56 - 59	TTBY56-59P	10	4	201 - 213	TTBY201-213P	5
2	58 - 61	TTBY58-61P	10	4	214 - 226	TTBY214-226P	5
2	60 - 63	TTBY60-63P	10	4	222 - 234	TTBY222-234P	5
2	62 - 65	TTBY62-65P	10	4	227 - 239	TTBY227-239P	5
3	64 - 67	TTBY64-67P	10	4	240 - 252	TTBY240-252P	5
3	66 - 70	TTBY66-70P	10	4	253 - 265	TTBY253-265P	5
3	68 - 73	TTBY68-73P	10	4	266 - 278	TTBY266-278P	5
3	71 - 76	TTBY71-76P	10	4	279 - 291	TTBY279-291P	5
3	74 - 79	TTBY74-79P	10	4	292 - 304	TTBY292-304P	5
3	77 - 82	TTBY77-82P	10	4	304 - 317	TTBY304-317P	5

Larger sizes available on request - refer page 34



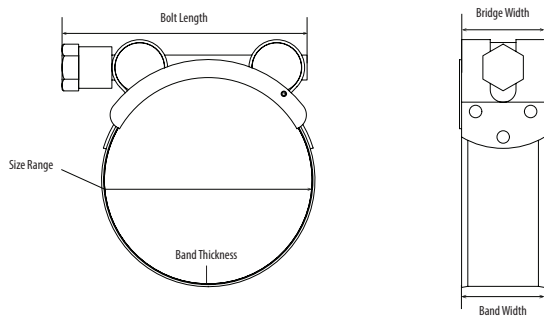
T-BOLT CLAMPS

All Stainless Steel

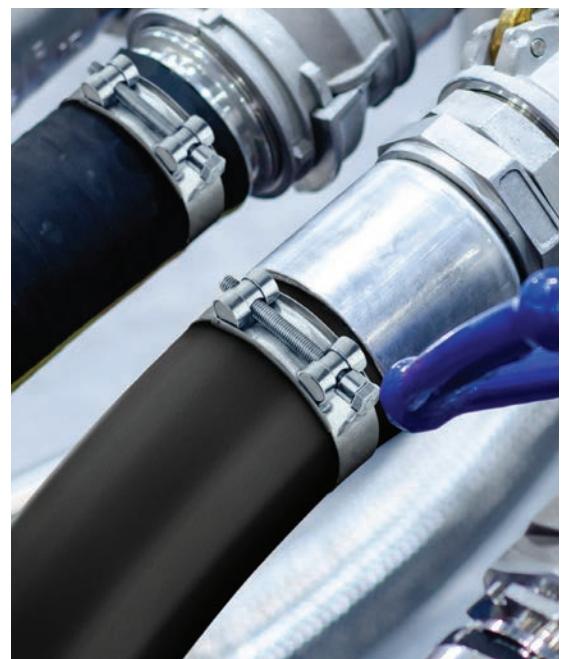
TTBS Series





- 304 stainless steel band
- 304 stainless steel bridge
- High tensile 316 stainless steel bolt
- 300 stainless steel collar
- 300 stainless steel trunnions
- For applications where large tightening forces are required
- All stainless steel for corrosion protection
- High strength wide band for superior sealing under large clamping loads
- Rolled edge to prevent hose damage
- Hex bolt, collar and solid trunnion design for smooth and even tensioning, low and reliable free torque
- Extra solid construction with the highest grade materials and three welds per band on larger sizes
- For heavy duty automotive, truck, mining, marine, industrial, farming, irrigation, agriculture, manufacturing, construction and DIY applications
- Ideal for use in high pressure hose applications or where additional sealing strength and corrosion protection are required

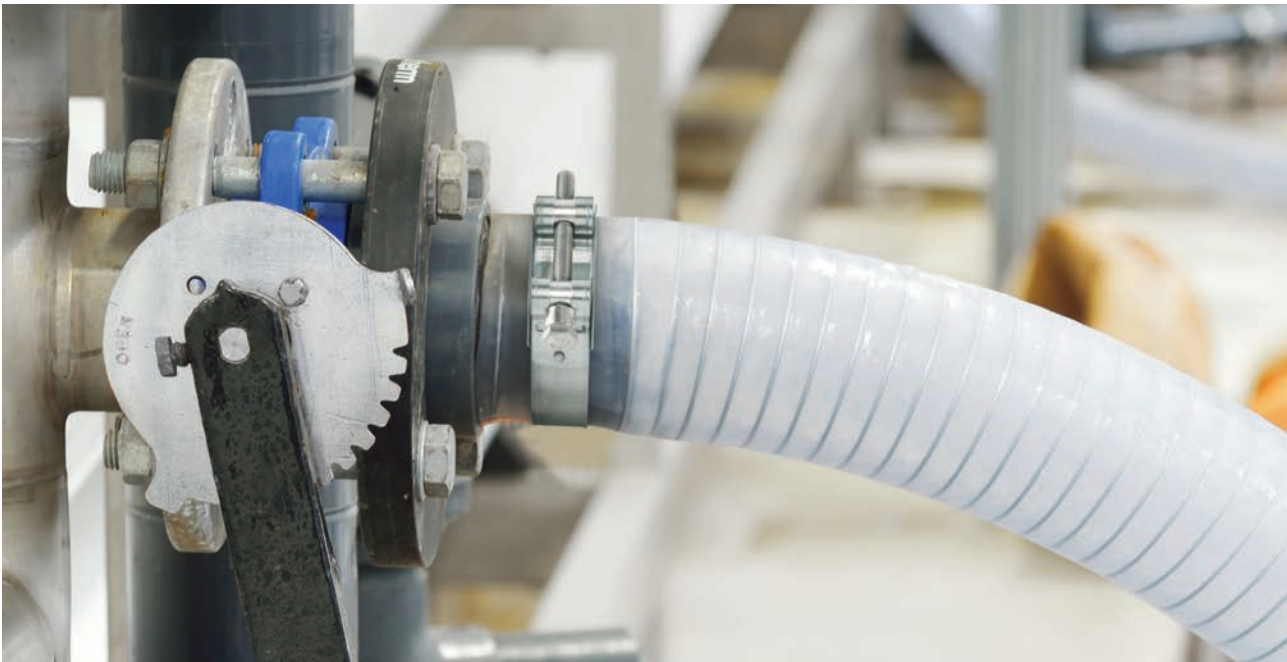


Series	Band	Bridge	Bolt	Collar	Trunnions	
TTBS (T-Bolt Clamp)	304 Stainless Steel	304 Stainless Steel	High Tensile 316 Stainless Steel	300 Stainless Steel	300 Stainless Steel	
REF	Band Width	Bridge Width	Band Thickness	Bolt	Bolt Length	Bolt Head Size
1	16mm	18mm	0.7mm	M5	40mm	8mm
2	20mm	22mm	0.7mm	M6	55mm	10mm
3	24mm	27mm	1.0mm	M8	80mm	13mm
4	26mm	29mm	1.2mm	M10	105mm	17mm



REF	Size Range mm	BOX 		REF	Size Range mm	BOX 	
		Part No.	Qty			Part No.	Qty
TTBS SERIES				TTBS SERIES			
1	17 - 19	TTBS17-19P	10	3	74 - 79	TTBS74-79P	10
1	18 - 20	TTBS18-20P	10	3	77 - 82	TTBS77-82P	10
1	20 - 22	TTBS20-22P	10	3	80 - 85	TTBS80-85P	10
1	21 - 23	TTBS21-23P	10	3	83 - 88	TTBS83-88P	10
1	23 - 25	TTBS23-25P	10	3	86 - 91	TTBS86-91P	10
1	24 - 26	TTBS24-26P	10	3	89 - 94	TTBS89-94P	10
1	26 - 28	TTBS26-28P	10	3	92 - 97	TTBS92-97P	10
1	27 - 29	TTBS27-29P	10	3	95 - 100	TTBS95-100P	10
2	29 - 31	TTBS29-31P	10	3	98 - 103	TTBS98-103P	10
2	30 - 33	TTBS30-33P	10	3	101 - 107	TTBS101-107P	10
2	32 - 35	TTBS32-35P	10	3	104 - 112	TTBS104-112P	10
2	34 - 37	TTBS34-37P	10	3	108 - 116	TTBS108-116P	10
2	36 - 39	TTBS36-39P	10	3	113 - 121	TTBS113-121P	10
2	38 - 41	TTBS38-41P	10	3	117 - 125	TTBS117-125P	10
2	40 - 43	TTBS40-43P	10	3	122 - 130	TTBS122-130P	10
2	42 - 45	TTBS42-45P	10	3	126 - 134	TTBS126-134P	10
2	44 - 47	TTBS44-47P	10	4	131 - 139	TTBS131-139P	10
2	46 - 49	TTBS46-49P	10	4	140 - 148	TTBS140-148P	10
2	48 - 51	TTBS48-51P	10	4	149 - 161	TTBS149-161P	5
2	50 - 53	TTBS50-53P	10	4	162 - 174	TTBS162-174P	5
2	52 - 55	TTBS52-55P	10	4	175 - 187	TTBS175-187P	5
2	54 - 57	TTBS54-57P	10	4	188 - 200	TTBS188-200P	5
2	56 - 59	TTBS56-59P	10	4	201 - 213	TTBS201-213P	5
2	58 - 61	TTBS58-61P	10	4	214 - 226	TTBS214-226P	5
2	60 - 63	TTBS60-63P	10	4	227 - 239	TTBS227-239P	5
2	62 - 65	TTBS62-65P	10	4	240 - 252	TTBS240-252P	5
3	64 - 67	TTBS64-67P	10	4	253 - 265	TTBS253-265P	5
3	66 - 70	TTBS66-70P	10	4	266 - 278	TTBS266-278P	5
3	68 - 73	TTBS68-73P	10	4	279 - 291	TTBS279-291P	5
3	71 - 76	TTBS71-76P	10	4	292 - 304	TTBS292-304P	5

Larger sizes available on request - refer page 34



T-BOLT CLAMPS

T-Bolt Ultimate

TTBU Series



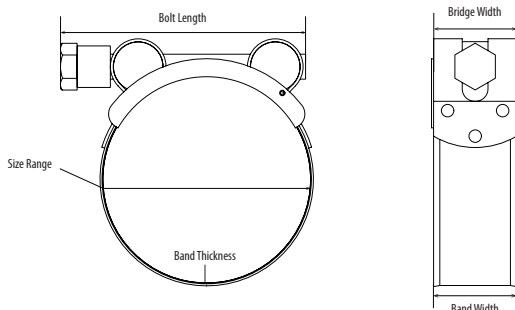
- 430 stainless steel band
- 430 stainless steel bridge
- High tensile carbon steel zinc plated bolt
- Carbon steel zinc plated collar
- Carbon steel zinc plated trunnions
- For automotive performance and general applications
- High strength wide band for superior sealing under large clamping loads
- Rolled edge to prevent hose damage
- Hex bolt, collar and solid trunnion design for easy installation, smooth and even tensioning, low and reliable free torque
- Individually packed in popular sizes
- Ideal for use in high pressure hose applications or where additional sealing strength is required including turbocharging, intercooler, air intake, radiator and exhaust pipes

REF	Size Range mm	BAG	
		Part No.	Qty



TTBU SERIES

REF	Size Range mm	Part No.	Qty
1	29 - 31	TTBU29-31C	1
1	32 - 35	TTBU32-35C	1
1	36 - 39	TTBU36-39C	1
1	40 - 43	TTBU40-43C	1
1	44 - 47	TTBU44-47C	1
1	48 - 51	TTBU48-51C	1
1	52 - 55	TTBU52-55C	1
1	56 - 59	TTBU56-59C	1
1	60 - 63	TTBU60-63C	1
2	64 - 67	TTBU64-67C	1
2	68 - 73	TTBU68-73C	1
2	66 - 70	TTBU66-70C	1
2	71 - 76	TTBU71-76C	1
2	74 - 79	TTBU74-79C	1
2	77 - 82	TTBU77-82C	1
2	80 - 85	TTBU80-85C	1



Series	Band	Bridge	Bolt	Collar	Trunnions
TTBU (T-Bolt Clamp)	430 Stainless Steel	430 Stainless Steel	Carbon Steel Zinc Plated	Carbon Steel Zinc Plated	Carbon Steel Zinc Plated

REF	Band Width	Bridge Width	Band Thickness	Bolt	Band Length	Bolt Head Size
1	20mm	22mm	0.7mm	M6	55mm	10mm
2	24mm	27mm	1.0mm	M8	80mm	13mm



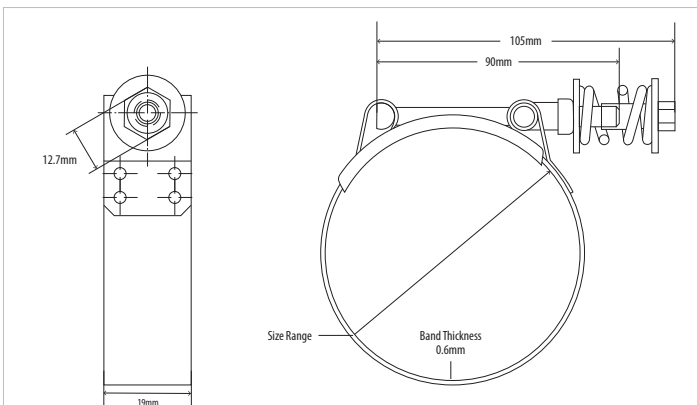
T-BOLT CLAMPS

Spring T-Bolt

TTBX Series



- 304 stainless steel band
- 304 stainless steel bridge
- Carbon steel zinc plated bolt and nut
- Carbon steel zinc plated spring and washers
- Carbon steel zinc plated collar
- 304 stainless steel trunnions
- Heavy duty constant tension spring loaded T-Bolt clamp for applications where large clamping forces are required
- Spring loaded screw design for even pressure distribution and constant tension in fluctuating temperatures
- High strength wide band for superior sealing under large clamping loads
- Smooth edge to prevent hose damage
- Bolt and nut, collar and trunnion design for smooth and even tensioning, low and reliable free torque
- Extra solid construction with the highest-grade materials and four welds per band on larger sizes
- Manufactured to SAE J1508 standard
- For heavy duty automotive, truck, mining, agricultural and industrial use
- Ideal for use in high temperature hose environments including radiator, intercooler and exhaust applications
- **Do not overtighten or fully compress the spring. Always allow for expansion and contraction due to temperature or pressure**
- Maximum recommended tightening torque 7.3-8.5Nm



Series	Band	Bridge	Bolt & Nut	Collar	Trunnion	Spring & Washers
TTBX (Spring T-Bolt)	304 Stainless Steel	304 Stainless Steel	Carbon Steel Zinc Plated	Carbon Steel Zinc Plated	304 Stainless Steel	Carbon Steel Zinc Plated

Size Range mm	BOX	
	Part No.	Qty
TTBX SERIES		
51 - 59	TTBX51-59P	10
54 - 62	TTBX54-62P	10
57 - 65	TTBX57-65P	10
60 - 68	TTBX60-68P	10
63 - 71	TTBX63-71P	10
67 - 75	TTBX67-75P	10
70 - 78	TTBX70-78P	10
73 - 81	TTBX73-81P	10
76 - 84	TTBX76-84P	10
79 - 87	TTBX79-87P	10
83 - 91	TTBX83-91P	10
86 - 94	TTBX86-94P	10
89 - 97	TTBX89-97P	10
92 - 100	TTBX92-100P	10
95 - 103	TTBX95-103P	10
102 - 110	TTBX102-110P	10
108 - 116	TTBX108-116P	10
114 - 122	TTBX114-122P	10
121 - 129	TTBX121-129P	10
127 - 135	TTBX127-135P	10
133 - 141	TTBX133-141P	10
140 - 148	TTBX140-148P	10
146 - 154	TTBX146-154P	5
152 - 160	TTBX152-160P	5
159 - 167	TTBX159-167P	5
165 - 173	TTBX165-173P	5
172 - 180	TTBX172-180P	5
178 - 186	TTBX178-186P	5
184 - 192	TTBX184-192P	5
190 - 198	TTBX190-198P	5
197 - 205	TTBX197-205P	5
203 - 211	TTBX203-211P	5
210 - 218	TTBX210-218P	5
216 - 224	TTBX216-224P	5





Custom Built T-Bolt Hose Clamps



Tridon has the unique ability to customise products and deliver bespoke clamping solutions for ever-changing requirements and environments. Tridon can design and build hose clamps to provide tailored solutions for complex extra-large fastening and sealing requirements, including short-run custom hose clamps.

Specialised T-Bolt hose clamps can be produced in various material grades, shapes, sizes, band widths and bolt configurations to meet your needs.

A screenshot of a 'TRIDON CUSTOM CLAMP DATA SHEET' form. The form is titled 'TRIDON CUSTOM CLAMP DATA SHEET' and 'TRIDON' with a logo. It contains several sections with input fields and checkboxes, including 'Clamp Type', 'Material', 'Band Width', 'Bolt Size', 'Bolt Configuration', 'Clamp Length', 'Clamp Width', 'Clamp Thickness', 'Clamp Weight', 'Clamp Volume', 'Clamp Surface Area', 'Clamp Volume', 'Clamp Weight', 'Clamp Volume', 'Clamp Weight', 'Clamp Volume', 'Clamp Weight'. There are also two diagrams of hose clamps at the top left of the form.

For specialised clamping enquiries scan the QR code and download the hose clamp data form or complete the form on page 71 and email to sales@tridon.com.au Alternatively, contact Tridon customer service on **1300 362 263** or your Tridon sales manager.



Multiple Bolts



Material Grades

Size and Band Width

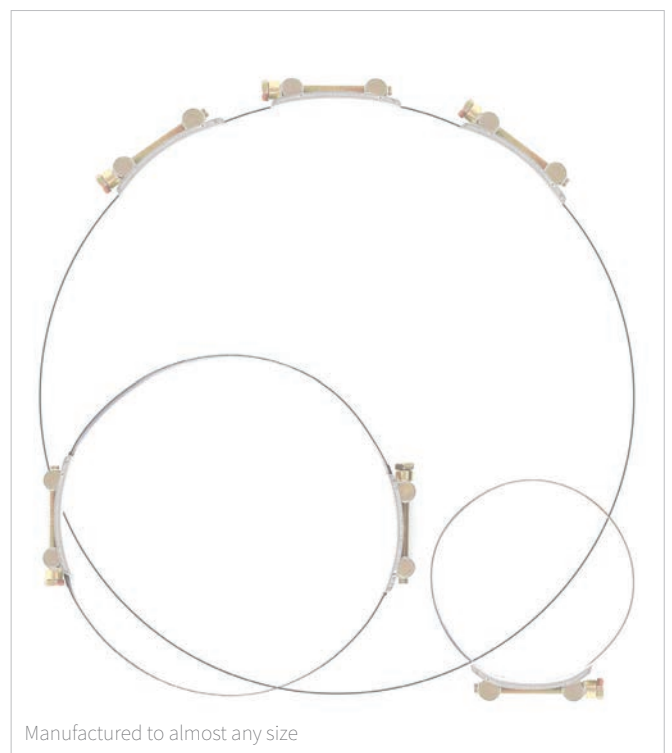
- Starting at 17mm, Tridon can manufacture T-bolt hose clamps to almost any size
- 16mm, 20mm, 24mm and 26mm band widths available

Material Grades

- Full and part stainless options
- 430, 304 and 316 stainless steel options available
- Part stainless T-Bolt clamps feature mild steel bolt, trunnions and collar
- 316 stainless steel for maximum corrosion protection

Multiple Bolts

- For extra large clamping requirements
- Bolts can be oriented and positioned to suit specific requirements



Manufactured to almost any size



SPECIALTY BAND HOSE CLAMPS

Extensive range of specialty hose clamps available in various material grades, styles, sizes and configurations. Tridon's specialty hose clamps provide a clamping solution for various irrigation, flange, pipe and hose sealing, pipe and cable mounting and universal banding and cable-tying applications.



LAYFLAT CLAMPS

All Stainless Steel

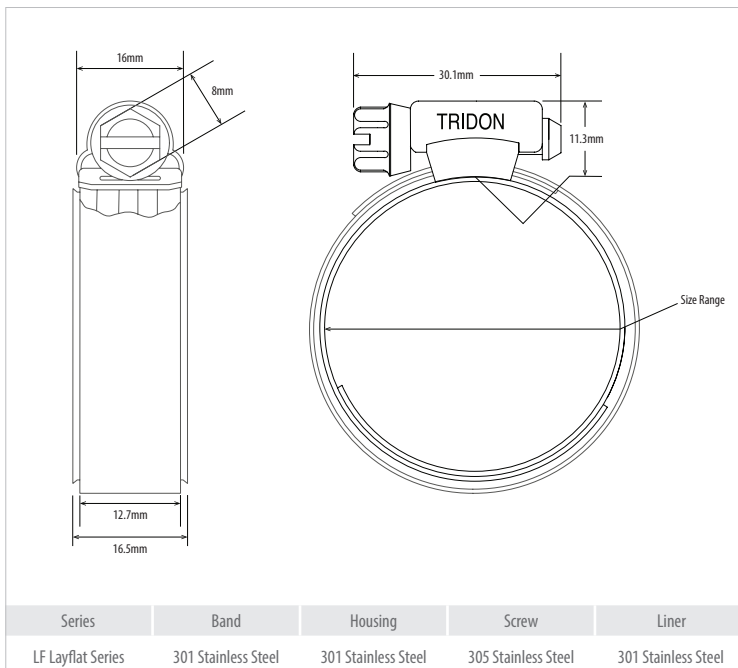
LF Layflat Series



- 301 stainless steel band
- 301 stainless steel housing
- 301 stainless steel clamp liner
- 305 stainless steel screw
- 8mm hexagonal head with screwdriver slot
- Specialty clamp specifically designed for use on blue lay flat hose
- Features unique bi-channel clamp liner, providing the ultimate dual pressure seal between the lay flat hose and hose fitting
- 300 series stainless steel for corrosion protection
- Built to SAE J1508 standard
- Low free torque for ease of installation
- High strength for reliable sealing
- Superior sealing, conforms to hose
- Available in sizes required (2" - 4")
- For irrigation, farming, agricultural, mining, construction and industrial use
- Made in Australia



To Suit Pipe/Hose Size (inch)	BOX	BULK	
	Pack of 10	Bulk	
	Part No.	Part No.	Box Qty
LF SERIES			
2"	LF020P	LF020	100
2½"	LF025P	LF025	100
3"	LF030P	LF030	100
4"	LF040P	LF040	100



FLANGE CLAMPS

All Stainless Steel

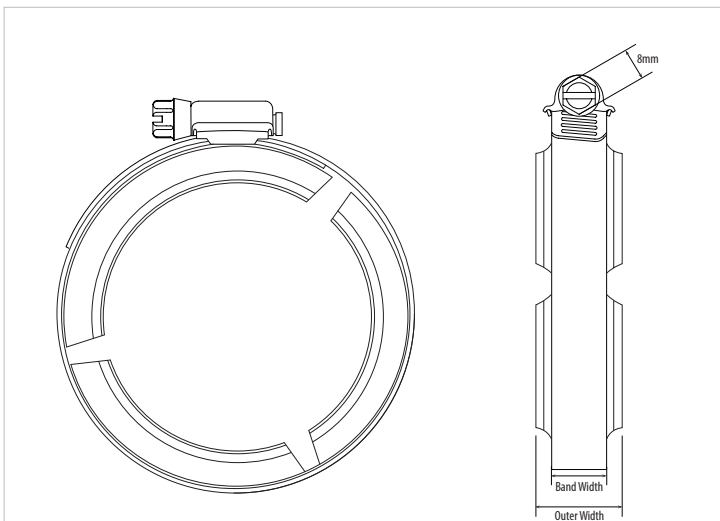
PF Pipe Flange Series



- 301 or 304 stainless steel band
- 301 or 304 stainless steel housing
- 301 or 304 stainless steel flanges
- 301 or 304 stainless steel screw
- 8mm hexagonal head with screwdriver slot
- Specialty clamp designed for use on manifold flange, poly pipes and couplings
- Worm drive clamp with incorporated tri-flange band design
- 301/304 series stainless steel for corrosion protection
- Low free torque for ease of installation
- Provides high strength for reliable flange seal
- For farming, agricultural, irrigation, mining, construction and industrial use
- Commonly used with flange port manifold fittings on OE farming, spraying and irrigation applications

Size Range inch	BOX	FLANGE CLAMPS			
	Pack of 10	Specifications			
	Part No.	Band Width	Outer Width	Material	Flange Style

PF SERIES					
1"	PF010	12.7mm	24.2mm	301 S/S	Standard
2"	PF020	14.2mm	24.0mm	301 S/S	Standard
2"	PF022	14.2mm	23.5mm	301 S/S	Full Port
3"	PF030	14.2mm	23.5mm	301 S/S	Standard
4"	PF040	15.8mm	28.0mm	304 S/S	Standard



Series	Band	Housing	Screw	Flange
PF010 - PF030	301 Stainless Steel	301 Stainless Steel	301 Stainless Steel	301 Stainless Steel
PF040	304 Stainless Steel	304 Stainless Steel	304 Stainless Steel	304 Stainless Steel



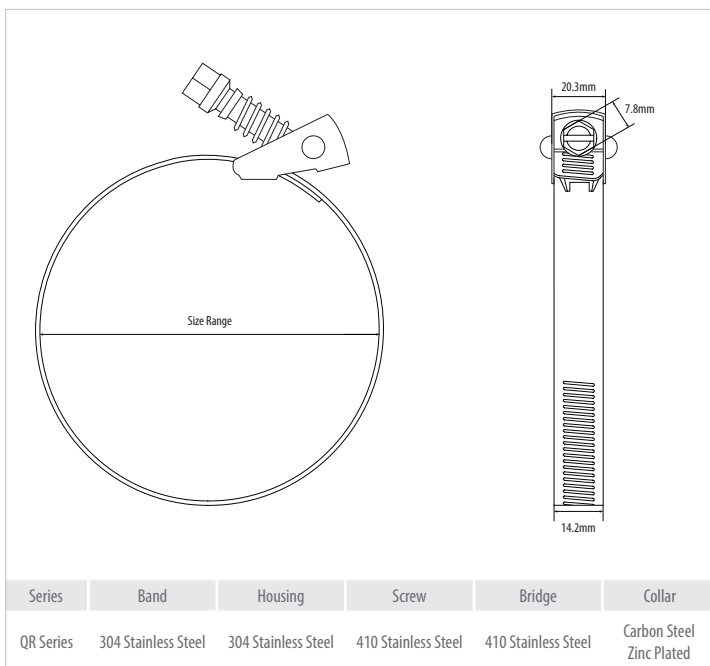
QUICK RELEASE CLAMPS

Part Stainless Steel

QR Quick Release Series



- 304 stainless steel band
- 304 stainless steel housing
- 410 stainless steel screw
- 410 stainless steel bridge
- Carbon steel zinc plated collar
- Unique quick-release clamp allows for quick and easy installation in restricted or difficult areas
- Features one piece lever screw, housing and worm drive band design
- Ideal for applications where clamps must be open for installation
- Can be joined together to achieve greater dimensions
- For electrical, telecommunications, construction, manufacturing, industrial and general purpose use
- Commonly used in telecommunications industry on cable installations where open air application demands durability



Size Range inch	BOX	BULK	
	Pack of 10	Bulk	
	Part No.	Part No.	Box Qty
QR SERIES			
23 - 70	QR-036P	QR-036	100
42 - 90	QR-048P	QR-048	100
51 - 130	QR-072P	QR-072	100
51 - 152	QR-088P	QR-088	100
51 - 176	QR-104P	QR-104	100
60 - 215	QR-128P	QR-128	100
60 - 254	QR-152P	QR-152	100
60 - 311	QR-188P	QR-188	100



UNI BAND CLAMPS

All Stainless Steel



UB Series



- 301 and 316 stainless steel band
- 301 and 316 stainless steel buckles
- Universal stainless steel band clamp system designed for use in general purpose clamping or strapping applications
- 301 and 316 stainless steel options for maximum tensile strength, superior durability and corrosion resistance
- Available in 30m rolls in various widths and thicknesses
- Three buckle styles available: crimp, folding and screw type design
- Designed to be cut to length for each application
- Ideal for clamping or strapping over large diameters and or in a wide range of shapes
- Clamping tool (Part No. CT1) enables correct tensioning of band and provides an easy cut-off facility
- For electrical, telecommunications, construction, manufacturing, industrial and general purpose use
- Common applications include clamping large diameter hoses, power poles and cables around pipes, tanks and pallet bundling

CT1
Banding Tool with Cutter
(Uniband Clamps)



Size Range mm/inch			Material		
Width	Thickness mm	Length m		Box Part No.	Plastic Reel Part No.



301 STAINLESS STEEL

9.5mm / 3/8"	0.65	30	301 S/S	UBB006-30P	UBB006-30R
12.7mm / 1/2"	0.65	30	301 S/S	UBB008-30P	UBB008-30R
15.9mm / 5/8"	0.75	30	301 S/S	UBB010-30P	UBB010-30R
19.0mm / 3/4"	0.75	30	301 S/S	UBB012-30P	UBB012-30R

Size Range mm/inch	Material	Crimp	Folding	Screw
				
Width		Pack of 100 Part No.	Pack of 100 Part No.	Pack of 100 Part No.

301 STAINLESS STEEL ACCESSORIES

9.5mm / 3/8"	301 S/S	UBL006/100		
12.7mm / 1/2"	301 S/S	UBL008/100	UBF008/100	
15.9mm / 5/8"	301 S/S	UBL010/100	UBF010/100	UBS010/100
19.0mm / 3/4"	301 S/S	UBL012/100	UBF012/100	UBS012/100

Size Range mm/inch			Material		Crimp
Width	Thickness mm	Length m		Plastic Reel Part No.	Pack of 100 Part No.
					

316 STAINLESS STEEL & ACCESSORIES

12.7mm / 1/2"	0.65	30	316 S/S	UBB316-008P	UBL316-008P
19.0mm / 3/4"	0.75	30	316 S/S	UBB316-012P	UBL316-012P



PREFORM CLAMPS

All Stainless Steel

TPF Series



- 301 stainless steel band
- Preformed stainless steel band clamp for industrial hose applications where large tightening forces are required
- Features double rolled band for vibration resistance
- Rolled edge and underside to prevent hose damage
- 301 stainless steel for maximum tensile strength, superior durability and corrosion protection
- Available in sizes 25-203mm in three bandwidths
- Single use clamp
- Easy to use, simply tighten the band and hammer, crimp the housing or fold the band over the housing to secure in place
- Clamping Tool (Part No. 321002) enables correct tensioning of band, suitable for 15mm and 16mm bands only
- For heavy duty agricultural, industrial, fire hose, truck and mining use
- Ideal for use on fire hose, high pressure water and irrigation pipe applications



Diameter Size mm	Band Width mm	BOX 		BULK 	
		Part No.	Qty	Part No.	Box Qty

TPF SERIES					
25	15	TPF25P	10	TPF25	100
32	15	TPF32P	10	TPF32	100
35	15	TPF35P	10	TPF35	100
38	15	TPF38P	10	TPF38	100
44	15	TPF44P	10	TPF44	100
51	15	TPF51P	10	TPF51	100
57	15	TPF57P	10	TPF57	100
64	15	TPF64P	10	TPF64	100
70	15	TPF70P	10	TPF70	100
76	15	TPF76P	10	TPF76	100
89	15	TPF89P	10	TPF89	100
102	15	TPF102P	10	TPF102	100
114	15	TPF114P	10	TPF114	100
127	15	TPF127P	10	TPF127	100
152	16	TPF152P	10	TPF152	100
178	16	TPF178P	10	TPF178	100
203	16	TPF203P	10	TPF203	100
51	19	TPF5119P	10	TPF5119	100
57	19	TPF5719P	10	TPF5719	100
64	19	TPF6419P	10	TPF6419	100
70	19	TPF7019P	10	TPF7019	100
76	19	TPF7619P	10	TPF7619	100
89	19	TPF8919P	10	TPF8919	100
102	19	TPF10219P	10	TPF10219	100
114	19	TPF11419P	10	TPF11419	100
127	19	TPF12719P	10	TPF12719	100
152	19	TPF15219P	10	TPF15219	100
178	19	TPF17819P	10	TPF17819	100
203	19	TPF20319P	10	TPF20319	100

321002
Preform Band Clamp
Punch Tool




STAINLESS STEEL CABLE TIES

All Stainless Steel

304 Stainless Steel



- 304 stainless steel
- Self-locking ball and housing mechanism
- Operating temperature -60 – 300°C (-76 – 572°F)
- Stainless steel cable ties for maximum tensile strength, superior durability and corrosion protection when securing wires, cables and pipe bundles
- Features a unique one way ball lock housing design for strength and security during use
- Available in various lengths (127mm – 521mm) and widths (4.6mm – 7.9mm) in pack quantities of 50
- Effective in applications requiring tensile strengths from 46kgf – 113 kgf
- Ideal for use in restricted or difficult areas
- Designed to be cut. Easy to use, simply thread the band through the housing and tighten to secure to length for each application
- Intended for single use only
- Ideal for clamping, tying or strapping over various diameters and in a wide range of shapes
- Cable Tie Cutter (Part No. CTC2065) enables correct tensioning of band and provides an easy cut-off facility
- For automotive, industrial, electrical, telecommunications, solar energy, construction, manufacturing and general purpose use
- Commonly used in environmentally harsh conditions including outdoor and underground applications

Width mm	Length mm	Material	Min. Loop Tensile Strength			Bundle Diameter Max mm	HANG 
			N	kgf	lbf		
							Pack of 50
							Part No.

STAINLESS STEEL CABLE TIES

4.6	127	304 S/S	455	46.4	100	30	CTSS124
4.6	152	304 S/S	455	46.4	100	33	CTSS154
4.6	201	304 S/S	455	46.4	100	50	CTSS204
4.6	266	304 S/S	455	46.4	100	72	CTSS264
4.6	300	304 S/S	455	46.4	100	81	CTSS304
4.6	362	304 S/S	455	46.4	100	102	CTSS364
4.6	521	304 S/S	455	46.4	100	152	CTSS524
7.9	127	304 S/S	1112	113.39	250	30	CTSS128
7.9	152	304 S/S	1112	113.39	250	33	CTSS158
7.9	201	304 S/S	1112	113.39	250	50	CTSS208
7.9	266	304 S/S	1112	113.39	250	72	CTSS268
7.9	300	304 S/S	1112	113.39	250	81	CTSS308
7.9	362	304 S/S	1112	113.39	250	102	CTSS368
7.9	521	304 S/S	1112	113.39	250	152	CTSS528



CTC2065
Cable Tie Cutter
(Metal Cable Ties)



STAINLESS STEEL CABLE TIES

All Stainless Steel Epoxy Coated

304 & 316 Stainless Steel



- 304 and 316 stainless steel
- Black epoxy thermoset powder coated band
- Raw stainless steel self-locking ball and housing mechanism
- Operating temperature -40 – 85°C (-104 – 185°F)
- Stainless steel cable ties for maximum tensile strength, superior durability when securing wires, cables and pipe bundles
- Black epoxy powder coated band for additional corrosion protection
- Features a unique one way ball lock housing design for ease of installation, strength and security during use
- Available in various lengths (150mm – 600mm) and widths (4.45mm – 4.6mm) and pack quantities (10pk and 100pk)
- Effective in applications requiring tensile strengths up to 46kgf
- Ideal for use in restricted or difficult areas
- Designed to be cut. Easy to use, simply thread the band through the housing and tighten to secure to length for each application
- Intended for single use only
- Ideal for clamping, tying or strapping over various diameters and or in a wide range of shapes
- Cable Tie Cutter (Part No. CTC2065) enables correct tensioning of band and provides an easy cut-off facility
- For automotive, industrial, electrical, telecommunications, solar energy, construction, manufacturing and general purpose use
- Commonly used in environmentally harsh conditions including indoor, outdoor and underground applications

Width mm	Length mm	Material	Min. Loop Tensile Strength			Bundle Diameter Max mm	HANG Pack of 100 Part No.
			N	kgf	lbf		

304 STAINLESS STEEL CABLE TIES

4.6	150	304 S/S & Black Epoxy Coating	455	46.4	100	43	CTSC154
4.6	200	304 S/S & Black Epoxy Coating	455	46.4	100	59	CTSC204
4.6	300	304 S/S & Black Epoxy Coating	455	46.4	100	91	CTSC304
4.6	350	304 S/S & Black Epoxy Coating	455	46.4	100	107	CTSC354
4.6	500	304 S/S & Black Epoxy Coating	455	46.4	100	154	CTSC504
4.6	600	304 S/S & Black Epoxy Coating	455	46.4	100	186	CTSC604

Width mm	Length mm	Material	Min. Loop Tensile Strength			Bundle Diameter Max mm	HANG Pack of 10 Part No.
			N	kgf	lbf		

316 STAINLESS STEEL CABLE TIES

4.45	200	316 S/S & Black Epoxy Coating	445	45.4	100	50	CT316-204CD
4.45	300	316 S/S & Black Epoxy Coating	445	45.4	100	76	CT316-304CD
4.45	520	316 S/S & Black Epoxy Coating	445	45.4	100	156	CT316-524CD



CTC2065
Cable Tie Cutter
(Metal Cable Ties)



CV BOOT CLAMPS

All Stainless Steel

CV Series



- 430 stainless steel band
- Stainless steel band clamp to retain the CV boot on the CV joint and shaft
- Designed to ensure the integrity of the CV, prevent grease leakage and keep the joint dust free
- 430 stainless steel for tensile strength, durability and corrosion resistance
- Available in sizes 130 - 680mm
- Easy to use, simply tighten the band around the CV boot, fold the band over and crimp the housing to secure
- CV Boot Clamp Pack (Part No. CVCP10) contains a selection of stainless steel CV Boot clamps and banding tool with cutter available
- For automotive, industrial and general purpose use
- Commonly used in OE applications

Size Range mm		BOX	BULK	
		Pack of 20	Bulk	
Length	Width	Part No.	Part No.	Box Qty
CV SERIES				
130	6.3	CV130-20	CV130	500
280	6.3	CV280-20	CV280	500
360	6.3	CV360-20	CV360	500
480	6.3	CV480-20	CV480	500
680	6.3	CV680-20	CV680	500



CVCP10 CV Boot Clamp Pack Contents

Part No.	Size	Qty
CV130	6.3 x 130mm	5
CV280	6.3 x 280mm	10
CV360	6.3 x 360mm	5
CV480	6.3 x 480mm	5
CV680	6.3 x 680mm	5
301104	Banding Tool with Cutter	1



301104
Banding Tool with Cutter
(Band Style Clamps)



311288
CV Boot Clamp Installer



311009
CV Boot Clamp Pliers



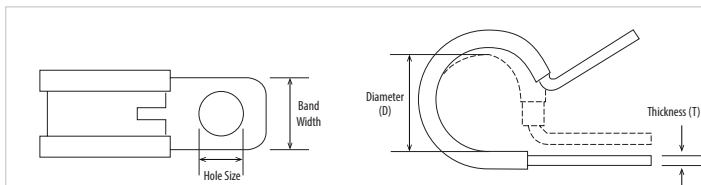
311018
CV Boot Installation Tool

RUBBER LINED CLAMPS

Zinc Plated Carbon Steel or 304 Stainless Steel TRLC Series






- Zinc plated carbon steel or 304 stainless steel
- EPDM rubber lining
- 15mm band/6.3mm hole or 20mm band/12.3mm hole
- Operating temperature -20 – 150°C (-4 – 302°F)
- Universal rubber line P-clamps for securing pipes, hoses, tubing, cables and wiring
- Manufactured from plated mild or 304 stainless steel for strength, durability and corrosion resistance
- Features EPDM rubber lining for vibration resistance, insulation and protection whilst in use
- Available in sizes 3.2 – 110mm
- Easy to use, simply wrap the clamp around cable or pipe and secure with screw or bolt
- Resistant to water, wear, fluctuations in temperature and ageing
- Ideal for clamping pipes, hoses, tubing, cables, wiring etc.
- For automotive, industrial, electrical, telecommunications, solar, constructions, plumbing, manufacturing and general purpose use
- Workshop pack (Part No. TRLC90K - refer page 69) containing a selection of TRLC clamps also available





Series	Material	Hole Size	Band Width	Rubber
TRLC Series	Zinc Plated Carbon Steel or 304 Stainless Steel	6.3mm	15mm	EPDM
TRLC-12 Series	Zinc Plated Carbon Steel	12.3mm	20mm	EPDM



Size Range mm	BOX 		BULK 		BOX 
	Zinc Plated Carbon Steel				Stainless Steel
	Pack of 10		Bulk		Pack of 10
D	T	Part No.	Part No.	Box Qty	Part No.

TRLC SERIES 6.3mm Hole Size

3.2	0.8	TRLC3P	TRLC3	100	
4.8	0.8	TRLC5P	TRLC5	100	
6.4	0.8	TRLC6P	TRLC6	100	TRLCSS6P
7.9	0.8	TRLC8P	TRLC8	100	TRLCSS8P
9.5	0.8	TRLC10P	TRLC10	100	TRLCSS10P
11.1	0.8	TRLC11P	TRLC11	100	
12.7	1	TRLC13P	TRLC13	100	TRLCSS13P
14.3	1	TRLC14P	TRLC14	100	
15.9	1	TRLC16P	TRLC16	100	TRLCSS16P
17.5	1	TRLC18P	TRLC18	100	TRLCSS18P
19	1	TRLC19P	TRLC19	100	TRLCSS19P
20.6	1	TRLC21P	TRLC21	100	
22.2	1	TRLC22P	TRLC22	100	TRLCSS22P
25.4	1	TRLC25P	TRLC25	100	TRLCSS25P
27	1.3	TRLC27P	TRLC27	100	TRLCSS27P
28.6	1.3	TRLC29P	TRLC29	100	
30.2	1.3	TRLC30P	TRLC30	100	TRLCSS30P
31.8	1.3	TRLC32P	TRLC32	100	
33.3	1.3	TRLC33P	TRLC33	100	
34.9	1.3	TRLC35P	TRLC35	100	TRLCSS35P
36.5	1.3	TRLC37P	TRLC37	100	
38.1	1.3	TRLC38P	TRLC38	100	
39	1.3	TRLC39P	TRLC39	100	
42	1.3	TRLC42P	TRLC42	100	TRLCSS42P
44.5	1.3	TRLC44P	TRLC44	100	
47	1.3	TRLC47P	TRLC47	100	
51.8	1.3	TRLC51P	TRLC51	100	
54	1.3	TRLC54P	TRLC54	100	
60	1.3	TRLC60P	TRLC60	100	
64	1.3	TRLC64P	TRLC64	100	
74	1.3	TRLC74P	TRLC74	100	
100	1.3	TRLC100P	TRLC100	100	
110	1.3	TRLC110P	TRLC110	100	

Size Range mm	BOX 		BULK 	
	Zinc Plated Carbon Steel			
	Pack of 10		Bulk	
D	T	Part No.	Part No.	Box Qty

TRLC-12 SERIES 12.3mm Hole Size

6	1	TRLC0612P	TRLC0612	100
8	1	TRLC0812P	TRLC0812	100
10	1	TRLC1012P	TRLC1012	100
13	1	TRLC1312P	TRLC1312	100
16	1	TRLC1612P	TRLC1612	100
19	1	TRLC1912P	TRLC1912	100
22	1	TRLC2212P	TRLC2212	100
25	1	TRLC2512P	TRLC2512	100
28	1	TRLC2812P	TRLC2812	100
32	1	TRLC3212P	TRLC3212	100

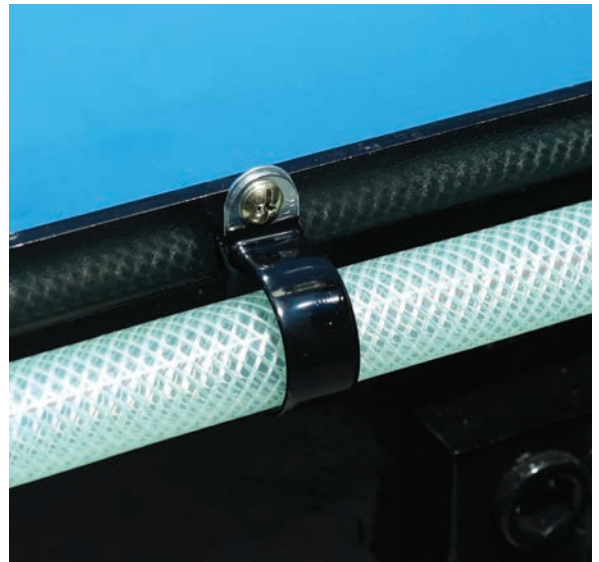
VINYL COATED CLAMPS

Zinc Plated Carbon Steel

CAI Series

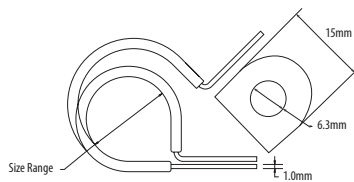


- Zinc plated carbon mild steel
- Hot dipped black polyvinyl chloride coating
- Operating temperature -20 – 80°C (-4 – 176°F)
- Universal P-Clamp with vinyl coating for strength, durability and corrosion resistance
- Available in sizes 6-90mm
- Two bandwidths (15 and 20mm) and three hole sizes (6.3, 10 and 12.7mm)
- Easy to use, simply wrap the clamp around the cable or pipe and secure with screw or bolt
- Resistant to water, wear, fluctuations in temperature and ageing
- Ideal for clamping pipes, hoses, tubing, cables, wiring etc.
- For automotive, industrial, electrical, telecommunications, solar, construction, plumbing, manufacturing and general purpose use
- Workshop pack (Part No. TCV85 - refer page 69) containing a selection of CAI clamps also available



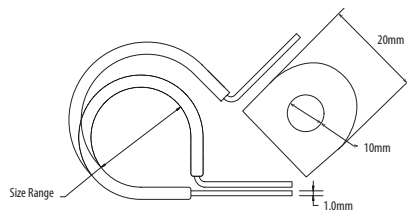
CAI0610 - CAI9006

15mm band, 6.3mm hole



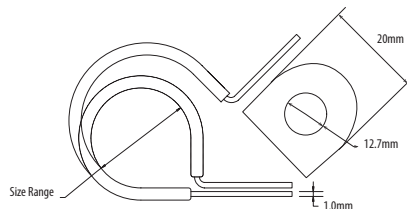
CAI1008 - CAI1051






20mm band, 10mm hole





CAI2913 - CAI9013

20mm band, 12.7mm hole



Size Range mm	BOX 		BULK 		CARD 		Size Range mm	BOX 		BULK 	
	Pack of 10		Bulk		Part No.	Qty Per Card		Pack of 10		Bulk	
	Part No.	Part No.	Box Qty	Part No.				Part No.	Box Qty		
15mm Band Width - 6.3mm Mounting Hole						20mm Band Width - 10mm Mounting Hole					
6	CAI0610P	CAI0610	500	CAI0610C	6		8	CAI1008P	CAI1008	100	
8	CAI0810P	CAI0810	500	CAI0810C	6		10	CAI1010P	CAI1010	100	
10	CAI1006P	CAI1006	500	CAI1006C	6		13	CAI1013P	CAI1013	100	
11	CAI1110P	CAI1110	500	CAI1110C	6		14	CAI1014P	CAI1014	100	
13	CAI1310P	CAI1310	500	CAI1310C	6		16	CAI1016P	CAI1016	100	
14	CAI1410P	CAI1410	500				18	CAI1018P	CAI1018	100	
16	CAI1610P	CAI1610	500	CAI1610C	4		19	CAI1019P	CAI1019	100	
18	CAI1810P	CAI1810	500				20	CAI1020P	CAI1020	100	
19	CAI1910P	CAI1910	500	CAI1910C	4		22	CAI1022P	CAI1022	100	
21	CAI2110P	CAI2110	500				24	CAI1024P	CAI1024	100	
24	CAI2410P	CAI2410	500				25	CAI1025P	CAI1025	100	
25	CAI2510P	CAI2510	500				27	CAI1027P	CAI1027	100	
27	CAI2710P	CAI2710	500				29	CAI1029P	CAI1029	100	
32	CAI3206P	CAI3206	500				32	CAI1032P	CAI1032	100	
33	CAI3306P	CAI3306	500				36	CAI1036P	CAI1036	100	
38	CAI3806P	CAI3806	500				38	CAI1038P	CAI1038	100	
40	CAI4006P	CAI4006	500				42	CAI1042P	CAI1042	100	
44	CAI4406P	CAI4406	500				51	CAI1051P	CAI1051	100	
46	CAI4606P	CAI4606	500								
51	CAI5106P	CAI5106	500								
57	CAI5706P	CAI5706	500								
70	CAI7006P	CAI7006	500								
90	CAI9006P	CAI9006	500								

Size Range mm	BOX 		BULK 	
	Pack of 10		Bulk	
	Part No.	Part No.	Min. Box Qty	
20mm Band Width - 12.7mm Mounting Hole				
29	CAI2913P	CAI2913	500	
30	CAI3013P	CAI3013	500	
32	CAI3213P	CAI3213	500	
33	CAI3313P	CAI3313	500	
38	CAI3813P	CAI3813	500	
40	CAI4013P	CAI4013	500	
46	CAI4613P	CAI4613	500	
51	CAI5113P	CAI5113	500	
52	CAI5213P	CAI5213	500	
57	CAI5713P	CAI5713	500	
64	CAI6413P	CAI6413	500	
67	CAI6713P	CAI6713	500	
70	CAI7013P	CAI7013	500	
73	CAI7313P	CAI7313	500	
90	CAI9013P	CAI9013	500	



MAGNETIC BASE ASSEMBLY

Magnetic Base Assembly

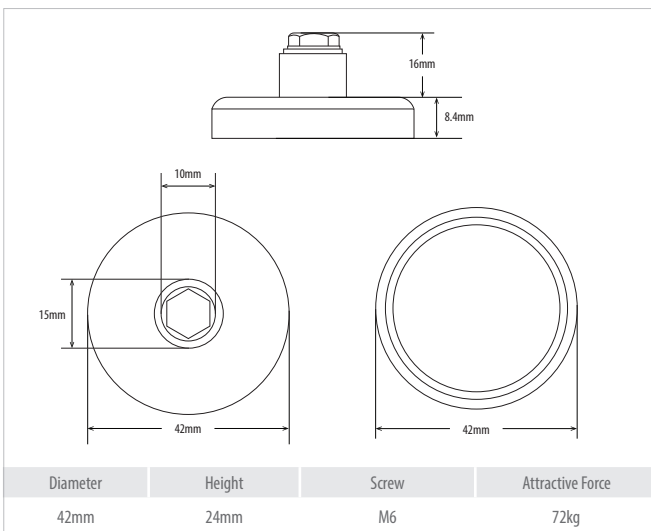
Rare Earth Pot Magnet



Size	BOX	
	Part No.	Qty
MAGNETIC BASE ASSEMBLY		
42mm (d) x 24mm (h)	TMB001P	6



- **TMB001P** - Pack quantity 6
- Rare earth (Neodymium) pot magnet
- Female thread, nylon spacer and M6 bolt and spring washer
- Diameter - 42mm
- Height - 24mm
- Screw - M6
- Attractive force - 72kg
- Powerful permanent pot magnet with 72kg of attractive force
- Manufactured with nickel housing with encased rare earth Neodymium magnetic material
- Delivers the ultimate solution for clamping, gripping and fixing components
- Provides security when mounting clamps, hooks or cable ties
- Ideal for use with Tridon vinyl coated and rubber lined P-clamps
- Eliminates the need to drill holes in chassis rails, steel beams and other metal applications
- Ideal for holding electrical cables, hoses, hydraulic and air lines etc.
- For heavy duty truck, mining, industrial, farming, manufacturing, construction and DIY applications



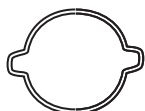
DOUBLE EAR CLAMPS

Zinc Plated Carbon Steel

TEC Series



- Zinc plated mild steel
- Universal double ear clamp commonly used in compressed air and industrial hose applications
- Manufactured from zinc plated mild steel for strength, durability and corrosion resistance
- Available in sizes 4-46mm
- Single use clamps
- Delivers an efficient, cost effective, reliable and simple clamping solution
- Easy to use, the double ear design allows for quick and easy installation, simply locate the clamp over the hose and fitting, and crimp both ears on either side of the clamp together to secure as required
- Pincing pliers SCP-1 or FCP-1 recommended for correct installation
- Ideal for use on compressed air, gas and liquid lines
- Commonly used on OEM compressed air line applications
- Workshop pack (Part No. TEC300 - refer page 69) containing a selection of TEC clamps with SCP-1 pincing plier also available



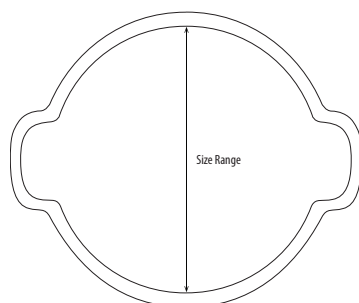
Open Clamp



Closed Correctly



Closed Incorrectly



Series

TEC Series

Material

Carbon Zinc Plated Mild Steel

Size Range mm	BOX	BULK	
	Pack of 20	Bulk	
	Part No.	Part No.	Box Qty

TEC SERIES

4 - 6	TEC46-20	TEC46	100
5 - 7	TEC57-20	TEC57	100
7 - 9	TEC79-20	TEC79	100
9 - 11	TEC911-20	TEC911	100
11 - 13	TEC1113-20	TEC1113	100
13 - 15	TEC1315-20	TEC1315	100
15 - 17	TEC1517-20	TEC1517	100
15 - 18	TEC1518-20	TEC1518	100
17 - 20	TEC1720-20	TEC1720	100
20 - 23	TEC2023-20	TEC2023	100
22 - 25	TEC2225-20	TEC2225	100
23 - 25	TEC2325-20	TEC2325	100
25 - 28	TEC2528-20	TEC2528	100
28 - 31	TEC2831-20	TEC2831	100
31 - 34	TEC3134-20	TEC3134	100
34 - 37	TEC3437-20	TEC3437	100
37 - 40	TEC3740-20	TEC3740	100
40 - 43	TEC4043-20	TEC4043	100
43 - 46	TEC4346-20	TEC4346	100



SCP-1 Pincing Plier



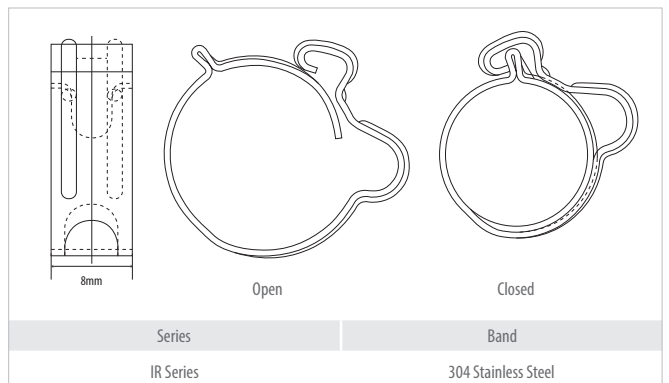
IRRIGATION CLAMPS

Zinc & Aluminium Flake Coated Stainless Steel

IR Series



- 304 stainless steel
- 8mm band (IR036 9mm band)
- Colour coded silver zinc and aluminium coating
- High tension stainless clamps for use on LDPE poly and drip tube pipes and fittings
- Manufactured from 304 stainless steel and UV stabilised silver zinc and aluminium coating for high strength, durability and corrosion resistance
- Available in five colours for quick and easy identification and selection
- Features unique clip lock retaining spring steel band design for even pressure distribution, constant tension and high strength reliable sealing in fluctuating pressures and temperatures
- Rolled band edge and underside to prevent tube/fitting damage
- Available in sizes 12 – 38mm
- Quick and easy to use
- Suitable for use on 10mm – 32mm LDPE Pipe and 10mm – 27mm Drip Tube
- Provides an efficient, simple, cost effective, reliable clamping solution for all popular irrigation poly pipes and fittings
- Specifically designed IR clamp tools 321011 and 321266 recommended for correct installation and removal of Tridon IR clamps
- Various pack sizes available
- For irrigation, agriculture, farming, manufacturing, industrial and OEM applications
- Ideal for use on commonly used LDPE poly and drip tube irrigation pipes and fittings
- Cross reference clamp to tube sizes in the table



Size Range mm	Colour	BAG 	BAG 	BULK 	PIPE AND TUBE FITMENT				
		Pack of 10	Trade Pack		Bulk		Irrigation Pipe and Tube		
		Part No.	Part No.	Box Qty	Part No.	Box Qty	Drip*	LDPE*	O.D. Tube
IR SERIES									
12.0 - 13.5	BLUE	IR012P	IR012	100	IR012B	500		10mm	
14.5 - 16.0	RED	IR014P	IR014	100	IR014B	500	13mm	13mm	
15.5 - 17.0	GOLD	IR015P	IR015	100	IR015B	500	15mm & 16mm		16mm
16.5 - 18.0	GREEN	IR016P	IR016	100	IR016B	500	15.4mm		16mm
17.5 - 19.0	PURPLE	IR017P	IR017	100	IR017B	500			18mm
18.5 - 20.0	BLUE	IR018P	IR018	100	IR018B	500			20mm
19.5 - 21.0	RED	IR019P	IR019	100	IR019B	500	19mm & 20mm		20mm
20.5 - 22.0	PURPLE	IR020P	IR020	100	IR020B	500	20mm	19mm	
21.5 - 23.0	BLUE	IR021P	IR021	100	IR021B	500		19mm	23mm
22.5 - 24.0	GOLD	IR022P	IR022	100	IR022B	500	21mm		23mm
23.5 - 25.0	GREEN	IR023P	IR023	50	IR023B	500			
26.5 - 28.0	PURPLE	IR026P	IR026	50	IR026B	500	25mm		
27.5 - 29.0	RED	IR027P	IR027	50	IR027B	500	27mm	25mm	27mm
28.5 - 30.0	GOLD	IR028P	IR028	50	IR028B	500		25mm Thick Wall	
36.0 - 38.0	GREEN	IR036P	IR036	50	IR036B	500		32mm	

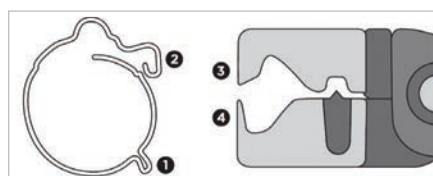
TOLEDO IRRIGATION CLAMP PLIERS



Irrigation Clamp Pliers

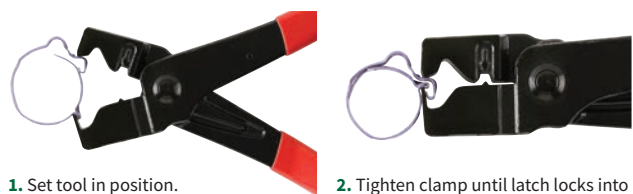
Part No: 321011

- Specially designed jaws for quick installation and removal simply by rotating the tool



- 1 Clip Lock Retainer
- 2 Clamp Latch
- 3 Thick Cam Jaw
- 4 Thin Cam Jaw

TO INSTALL Locate the clamp over hose and fitting



1. Set tool in position. Locate thick cam jaw of clamping tool over clamp latch and thin jaw under clip lock retainer
2. Tighten clamp until latch locks into position over the clamp retainer

TO REMOVE



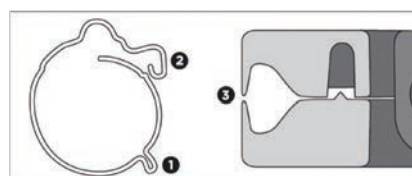
3. Rotate tool and set in position. Locate thick cam jaw of tool under the clip lock retainer and thin jaw on the back of clamp latch
4. Apply pressure to the tool to release the clamp



Irrigation Clamp Pliers Thin Jaw

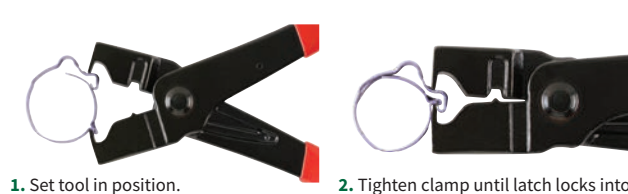
Part No: 321266

- Specially designed jaws can be used in either direction



- 1 Clip Lock Retainer
- 2 Clamp Latch
- 3 Toledo Tool Jaws

TO INSTALL Locate the clamp over hose and fitting



1. Set tool in position. Locate jaws of tool under clip lock retainer and over clamp latch
2. Tighten clamp until latch locks into position over the clamp retainer

TO REMOVE



3. Set tool in position. Locate the jaws of the tool under clip lock retainer and over clamp latch
4. Apply pressure and lever tool to release the clamp



CABLE TIES

Tridon cable ties are available in assorted materials, colours and sizes to suit all types of applications.

All cable ties are packaged in handy retail packs or trade quantities.

Merchandisers are also available to display popular cable ties.



CABLE TIES

Black Cable Ties

PA6,6 Nylon



- Black PA6,6 nylon (polyamide)
- UL94V-2 flame rating
- Operating temperature -40 – 85°C (-40 – 185°F)
- UL 62275 type 2S/21S certification
- Black standard and heavy-duty cable ties for securing wires, cables and pipe bundles
- One-piece construction for consistent performance and reliability
- Features internal serrations for a secure and positive hold
- Head design guarantees high tensile strength and very low insertion force
- Suitable for applications requiring tensile strengths from 8.2kgf – 113.4kgf
- UV stabilised to resist material breakdown and increase service life
- Available in various lengths (80mm – 1530mm), widths (2.4mm – 12.6mm) and pack quantities (25pk – 500pk)
- For automotive, truck, electrical, mining, marine, industrial, farming, irrigation, agriculture, manufacturing, construction and DIY applications
- Cable Tie Cutter (Part No. 302500) provides automatic tensioning and cut-off for a neat, clean and professional finish

Width mm	Length mm	Min. Loop Tensile Strength			Bundle Diameter Max mm	BAG	BAG	BAG	BULK	BULK
		N	kgf	lbf		Pack of 25	Pack of 50	Pack of 100	Pack of 300	Pack of 500
					Part No.		Part No.		Part No.	

BLACK CABLE TIES

Width mm	Length mm	N	kgf	lbf	Bundle Diameter Max mm	Part No.	Part No.	Part No.	Part No.	Part No.
2.4	80	80	8.2	18	15			CT603BKCD		
2.5	100	80	8.2	18	22			CT103BKCD		CTB103BK
3.6	150	178	18.2	40	35	CT154BKCD-25		CT154BKCD		CTB154BK
3.6	200	178	18.2	40	53			CT204BKCD		CTB204BK
3.6	250	178	18.2	40	65			CT254BKCD		
3.6	300	178	18.2	40	76			CT304BKCD		
4.8	200	222	22.6	50	50	CT205BKCD-25		CT205BKCD		CTB205BK
4.8	250	222	22.6	50	60			CT255BKCD		CTB255BK
4.8	300	222	22.6	50	76	CT305BKCD-25		CT305BKCD		CTB305BK
4.8	430	222	22.6	50	110	CT405BKCD		CT405BKCD-100		CTB405BK
4.8	450	222	22.6	50	116	CT455BKCD		CT455BKCD-100		
7.6	200	534	54.5	120	50	CT208BKCD				
7.6	250	534	54.5	120	65	CT258BKCD				
7.6	300	534	54.5	120	76	CT308BKCD	CT308BKCD-50			
7.6	370	534	54.5	120	102	CT358BKCD				
7.6	430	534	54.5	120	125	CT408BKCD		CT408BKCD-100		CTB408BK
7.6	450	534	54.5	120	130			CT458BKCD-100		
9.0	609	778	79.3	175	178	CT559BKCD				CTB559BK
9.0	778	778	79.3	175	228	CT759BKCD				
9.0	815	778	79.3	175	239	CT839BKCD	CT839BKCD-50	CTB839BK		
9.0	912	778	79.3	175	263		CT919BKCD-50			
9.0	1220	778	79.3	175	365		CT1229BKCD-50			
9.0	1530	778	79.3	175	460		CT1539BKCD-50			
12.6	580	1112	113.4	250	152	CT6512BKCD			CTB6512BK	

CABLE TIES

Natural Cable Ties

PA6,6 Nylon



302500
Cable Tie Cutter
(Nylon Cable Ties)

- PA6,6 nylon (polyamide)
- UL94V-2 flame rating
- Operating temperature -40 – 85°C (-40 – 185°F)
- UL 62275 type 2S/21S certification
- Natural standard and heavy-duty cable ties for securing wires, cables and pipe bundles
- One-piece construction for consistent performance and reliability
- Features internal serrations for a secure and positive hold
- Head design guarantees high tensile strength and very low insertion force
- Suitable for applications requiring tensile strengths from 8.2kgf – 79.3kgf
- UV stabilised to resist material breakdown and increase service life
- Available in various lengths (100mm – 1530mm), widths (2.4mm – 9.0mm) and pack quantities (25pk – 1000pk)
- For automotive, truck, electrical, mining, marine, industrial, farming, irrigation, agriculture, manufacturing, construction and DIY applications
- Cable Tie Cutter (Part No. 302500) provides automatic tensioning and cut-off for a neat, clean and professional finish

Width mm	Length mm	Min. Loop Tensile Strength			Bundle Diameter Max mm	HANG	HANG	HANG	BULK	BULK
		N	kgf	lbf		Pack of 25	Pack of 50	Pack of 100	Pack of 500	Pack of 1000
						Part No.	Part No.	Part No.	Part No.	Part No.

NATURAL CABLE TIES

Width mm	Length mm	N	kgf	lbf	Bundle Diameter Max mm	Part No.	Part No.	Part No.	Part No.	Part No.
2.5	100	80	8.2	18	22			CT103NTCD	CTB103NT	CTW103NT
3.6	150	178	18.2	40	35			CT154NTCD	CTB154NT	
3.6	200	178	18.2	40	53			CT204NTCD		
3.6	250	178	18.2	40	65			CT254NTCD		
3.6	300	178	18.2	40	76			CT304NTCD		
4.8	200	222	22.6	50	50			CT205NTCD		
4.8	250	222	22.6	50	60			CT255NTCD		
4.8	300	222	22.6	50	76			CT305NTCD	CTB305NT	
4.8	430	222	22.6	50	110	CT405NTCD				
4.8	450	222	22.6	50	116	CT455NTCD				
7.6	200	534	54.5	120	50	CT208NTCD				
7.6	250	534	54.5	120	65	CT258NTCD				
7.6	300	534	54.5	120	76	CT308NTCD				
7.6	370	534	54.5	120	102	CT358NTCD				
7.6	430	534	54.5	120	125	CT408NTCD				
9.0	609	778	79.3	175	178	CT559NTCD				
9.0	815	778	79.3	175	239		CT839NTCD-50			
9.0	912	778	79.3	175	263		CT919NTCD-50			
9.0	1220	778	79.3	175	365		CT1229NTCD-50			
9.0	1530	778	79.3	175	460		CT1539NTCD-50			


CABLE TIES

Coloured Cable Ties

PA6,6 Nylon



- PA6,6 nylon (polyamide)
- UL94V-2 flame rating
- Operating temperature -40 – 85°C (-40 – 185°F)
- UL 62275 type 2S/21S certification
- Coloured standard cable ties for securing wires, cables and pipe bundles
- One-piece construction for consistent performance and reliability
- Features internal serrations for a secure and positive hold
- Head design guarantees high tensile strength and very low insertion force
- Suitable for applications requiring tensile strengths up to 22.6kgf
- UV stabilised to resist material breakdown and increase service life
- 4.8mm wide cables ties in 200mm and 300mm lengths
- Pack sizes 100
- Available in various colours including Red, Yellow, Green, Blue, Orange and Purple
- Ideal for cable or wire identification and or tagging
- For automotive, truck, electrical, mining, marine, industrial, farming, irrigation, agriculture, manufacturing, construction and DIY applications
- Cable Tie Cutter (Part No. 302500) provides automatic tensioning and cut-off for a neat, clean and professional finish

Width mm	Length mm	Colour	Min. Loop Tensile Strength			Bundle Diameter Max mm	HANG 
			N	kgf	lbf		

COLOURED CABLE TIES

Width mm	Length mm	Colour	N	kgf	lbf	Bundle Diameter Max mm	Part No.
4.8	200	Blue	222	22.6	50	50	CT205BLCD
4.8	200	Green	222	22.6	50	50	CT205GRCD
4.8	200	Orange	222	22.6	50	50	CT205RACD
4.8	200	Purple	222	22.6	50	50	CT205PUCD
4.8	200	Red	222	22.6	50	50	CT205RDCD
4.8	200	Yellow	222	22.6	50	50	CT205YLCD
4.8	300	Blue	222	22.6	50	76	CT305BLCD
4.8	300	Green	222	22.6	50	76	CT305GRCD
4.8	300	Orange	222	22.6	50	76	CT305RACD
4.8	300	Purple	222	22.6	50	76	CT305PUCD
4.8	300	Red	222	22.6	50	76	CT305RDCD
4.8	300	Yellow	222	22.6	50	76	CT305YLCD




STAINLESS STEEL CABLE TIES

All Stainless Steel

304 Stainless Steel



Width mm	Length mm	Material	Min. Loop Tensile Strength			Bundle Diameter Max mm	HANG 
			N	kgf	lbf		
							Pack of 50
							Part No.

STAINLESS STEEL CABLE TIES

4.6	127	304 S/S	455	46.4	100	30	CTSS124
4.6	152	304 S/S	455	46.4	100	33	CTSS154
4.6	201	304 S/S	455	46.4	100	50	CTSS204
4.6	266	304 S/S	455	46.4	100	72	CTSS264
4.6	300	304 S/S	455	46.4	100	81	CTSS304
4.6	362	304 S/S	455	46.4	100	102	CTSS364
4.6	521	304 S/S	455	46.4	100	152	CTSS524
7.9	127	304 S/S	1112	113.39	250	30	CTSS128
7.9	152	304 S/S	1112	113.39	250	33	CTSS158
7.9	201	304 S/S	1112	113.39	250	50	CTSS208
7.9	266	304 S/S	1112	113.39	250	72	CTSS268
7.9	300	304 S/S	1112	113.39	250	81	CTSS308
7.9	362	304 S/S	1112	113.39	250	102	CTSS368
7.9	521	304 S/S	1112	113.39	250	152	CTSS528

- 304 stainless steel
- Self-locking ball and housing mechanism
- Operating temperature -60 – 300°C (-76 – 572°F)
- Stainless steel cable ties for maximum tensile strength, superior durability and corrosion protection when securing wires, cables and pipe bundles
- Features a unique one way ball lock housing design for strength and security during use
- Available in various lengths (127mm – 521mm) and widths (4.6mm – 7.9mm) in pack quantities of 50
- Suitable for applications requiring tensile strengths from 46kgf – 113 kgf
- Ideal for use in restricted or difficult areas
- Designed to be cut. Easy to use, simply thread the band through the housing and tighten to secure to length for each application
- Intended for single use only
- Ideal for clamping, tying or strapping over various diameters and or in a wide range of shapes
- Cable Tie Cutter (Part No. CTC2065) enables correct tensioning of band and provides an easy cut-off facility
- For automotive, industrial, electrical, telecommunications, solar energy, construction, manufacturing and general purpose use
- Commonly used in environmentally harsh conditions including indoor, outdoor and underground applications



CTC2065
Cable Tie Cutter
(Metal Cable Ties)



STAINLESS STEEL CABLE TIES

All Stainless Steel Epoxy Coated

304 & 316 Stainless Steel



- 304 and 316 stainless steel
- Black epoxy thermoset powder coated band
- Raw stainless steel self-locking ball and housing mechanism
- Operating temperature -40 – 85°C (-104 – 185°F)
- Stainless steel cable ties for maximum tensile strength, superior durability when securing wires, cables and pipe bundles
- Black epoxy powder coated band for additional corrosion protection
- Features a unique one way ball lock housing design for ease of installation, strength and security during use
- Available in various lengths (150mm – 600mm) widths (4.45mm – 4.6mm) and pack quantities (10pk and 100pk)
- Suitable for applications requiring tensile strengths up to 46kgf
- Ideal for use in restricted or difficult areas
- Designed to be cut. Easy to use, simply thread the band through the housing and tighten to secure to length for each application
- Intended for single use only
- Ideal for clamping, tying or strapping over various diameters in a wide range of shapes
- Cable Tie Cutter (Part No. CTC2065) enables correct tensioning of band and provides easy cut-off facility
- For automotive, industrial, electrical, telecommunications, solar energy, construction, manufacturing and general purpose use
- Commonly used in environmentally harsh conditions including indoor, outdoor and underground applications

Width mm	Length mm	Material	Min. Loop Tensile Strength			Bundle Diameter Max mm	HANG Pack of 100 Part No.
			N	kgf	lbf		

304 STAINLESS STEEL CABLE TIES

4.6	150	304 S/S & Black Epoxy Coating	455	46.4	100	43	CTSC154
4.6	200	304 S/S & Black Epoxy Coating	455	46.4	100	59	CTSC204
4.6	300	304 S/S & Black Epoxy Coating	455	46.4	100	91	CTSC304
4.6	350	304 S/S & Black Epoxy Coating	455	46.4	100	107	CTSC354
4.6	500	304 S/S & Black Epoxy Coating	455	46.4	100	154	CTSC504
4.6	600	304 S/S & Black Epoxy Coating	455	46.4	100	186	CTSC604

Width mm	Length mm	Material	Min. Loop Tensile Strength			Bundle Diameter Max mm	HANG Pack of 10 Part No.
			N	kgf	lbf		

316 STAINLESS STEEL CABLE TIES

4.45	200	316 S/S & Black Epoxy Coating	445	45.4	100	50	CT316-204CD
4.45	300	316 S/S & Black Epoxy Coating	445	45.4	100	76	CT316-304CD
4.45	520	316 S/S & Black Epoxy Coating	445	45.4	100	156	CT316-524CD



CTC2065
Cable Tie Cutter
(Metal Cable Ties)



CABLE TIES

Metal Detectable Cable Ties

PA6,6 with metal particles



Width mm	Length mm	Colour	Min. Loop Tensile Strength			Bundle Diameter Max mm	HANG Pack of 100 Part No.
			N	kgf	lbf		

METAL DETECTABLE CABLE TIES							
2.5	100	Blue	80	8.2	18	22	CT103MD-100
3.6	150	Blue	135	13.7	30	35	CT154MD-100
4.8	200	Blue	225	22.6	50	50	CT205MD-100
4.8	390	Blue	225	22.6	50	105	CT405MD-100
7.6	390	Blue	535	54.5	120	108	CT408MD-100

- PA6,6MP (polyamide 6,6 with metal particles)
- UL94V HB flame rating
- Operating temperature -40 – 85°C (-40 – 185°F)
- Metal detectable cable ties for securing wires, cables and pipe bundles
- Metal particles evenly distributed throughout the cable tie material
- Can be detected by correctly calibrated metal detectors
- Blue colour for increased visibility
- Applicable for use in high humidity liquid environments
- UV stabilised to resist material breakdown and increase service life
- Used to minimise the risk of pollutants and contamination entering into the food/beverage manufacturing process
- Usable as part of the HACCP process
- One-piece construction for consistent performance and reliability
- Features internal serrations for a secure and positive hold
- Head design guarantees high tensile strength and very low insertion force
- Suitable for applications requiring tensile strengths from 8.2kgf – 54.5kgf
- Available in various lengths (100mm – 390mm) and widths (2.5mm – 7.6mm) in pack quantities of 100.
- Ideal for pollutant sensitive industries such as food, beverage, pharmaceutical, medical, biotechnology and manufacturing industries
- Cable Tie Cutter (302500) provides automatic tensioning and cut-off for a neat, clean and professional finish



302500
Cable Tie Cutter
(Nylon Cable Ties)

CABLE TIES

Cable Tie Merchandiser

CTM100

- All cable ties are packaged in handy retail packs and trade quantities
- Complete with freestanding display unit
- Minimal space requirements
- Complete cable tie solution
- Dimensions: 2060mm (h) x 40mm (d) x 465mm (w)



Part No.	Size Range mm		Colour	Min. Loop Tensile Strength			Bundle Dia. Max mm	Pack Size	Merch Qty
	Width	Length		N	kgf	lbf			

CABLE TIE MERCHANDISER CONTENTS

CT154BKCD	3.6	150	Black	178	18.2	40	35	100	5
CT205BKCD	4.8	200	Black	222	22.6	50	50	100	5
CT305BKCD	4.8	300	Black	222	22.6	50	76	100	5
CT308BKCD	7.6	300	Black	534	54.5	120	76	25	4
CT408BKCD	7.6	430	Black	534	54.5	120	125	25	5
CT408BKCD-100	7.6	430	Black	534	54.5	120	125	100	4
CT559BKCD	9.0	609	Black	778	79.3	175	178	25	3
CT759BKCD	9.0	778	Black	778	79.3	175	228	25	3
CTCP10									
CT103BKCD	2.5	100	Black	80	8.2	18	22	2 x 100	
CT154BKCD	3.6	150	Black	178	18.2	40	35	2 x 100	2
CT205BKCD	4.8	200	Black	222	22.6	50	50	4 x 100	
CT305BKCD	4.8	300	Black	222	22.6	50	76	2 x 100	
CTP07	2.5	100	Blue	80	8.2	18	22	100	
	2.5	100	Red	80	8.2	18	22	100	
	2.5	100	Yellow	80	8.2	18	22	100	3
	2.5	160	Black	80	8.2	18	40	100	
	2.5	160	Natural	80	8.2	18	40	100	
CTP25	2.5	100	Black	80	8.2	18	22	200	
	2.5	100	Blue	80	8.2	18	22	100	
	2.5	100	Green	80	8.2	18	22	100	
	2.5	100	Natural	80	8.2	18	22	100	
	2.5	100	Red	80	8.2	18	22	100	2
	2.5	100	Yellow	80	8.2	18	22	100	
	4.8	200	Black	222	22.6	50	50	100	
	4.8	200	Natural	222	22.6	50	50	100	
4.8	300	Black	222	22.6	50	76	100		
CTP26	4.8	300	Black	222	22.6	50	76	60	
	4.8	300	Blue	222	22.6	50	76	60	
	4.8	300	Green	222	22.6	50	76	60	2
	4.8	300	Red	222	22.6	50	76	60	
	4.8	300	Yellow	222	22.6	50	76	60	
CTP27	2.5	100	Black	80	8.2	18	22	100	
	3.6	200	Black	178	18.2	40	53	100	6
CTP29	2.5	100	Red	80	8.2	18	22	50	
	2.5	100	Yellow	80	8.2	18	22	50	2
	3.6	200	Blue	178	18.2	40	53	50	
CTP30	3.6	200	Green	178	18.2	40	53	50	
	2.5	100	M. Brown	80	8.2	18	22	50	
	2.5	100	M. Green	80	8.2	18	22	50	2
	3.6	200	M. Brown	178	18.2	40	53	50	
	3.6	200	M. Green	178	18.2	40	53	50	

CABLE TIES

Cable Tie Combo Packs

Assorted Colours



Part No. CTP03



Part No. CTP07



Part No. CTP08



Part No. CTP25



Part No. CTP18



Part No. CTP21



Part No. CTP22



Part No. CTP11



Part No. CTP13



Part No. CTP10

Part No.	Width mm	Length mm	Colour	Qty	Min. Loop Tensile Strength			Bundle Dia.Max mm
					N	kgf	lbf	
CTP03	2.5	100	Black	200	80	8.2	18	22
	2.5	100	Blue	200	80	8.2	18	22
	2.5	100	Green	100	80	8.2	18	22
	2.5	100	Natural	200	80	8.2	18	22
	2.5	100	Red	100	80	8.2	18	22
	2.5	100	Yellow	200	80	8.2	18	22
CTP07	2.5	100	Blue	100	80	8.2	18	22
	2.5	100	Red	100	80	8.2	18	22
	2.5	100	Yellow	100	80	8.2	18	22
	2.5	160	Black	100	80	8.2	18	40
	2.5	160	Natural	100	80	8.2	18	40
CTP08	2.5	100	Blue	100	80	8.2	18	22
	2.5	100	Red	100	80	8.2	18	22
	2.5	100	Yellow	100	80	8.2	18	22
	2.5	200	Black	100	80	8.2	18	53
	2.5	200	Natural	100	80	8.2	18	53
CTP10	2.5	100	Natural	25	80	8.2	18	22
	4.8	160	Natural	25	222	22.6	50	38
	4.8	200	Natural	25	222	22.6	50	50

Part No.	Width mm	Length mm	Colour	Qty	Min. Loop Tensile Strength			Bundle Dia.Max mm
					N	kgf	lbf	
CTP11	2.4	80	Black	100	80	8.2	18	15
	2.5	120	Black	100	80	8.2	18	30
	3.6	140	Black	50	178	18.2	40	33
CTP13	2.5	100	Black	50	80	8.2	18	22
	4.8	160	Black	50	222	22.6	50	38
	4.8	200	Black	50	222	22.6	50	50
CTP18	4.8	200	Black	25	222	22.6	50	50
	4.8	200	Red	25	222	22.6	50	50
	4.8	200	Yellow	25	222	22.6	50	50
CTP21	2.5	100	Natural	300	80	8.2	18	22
CTP22	2.5	100	Black	300	80	8.2	18	22
CTP25	2.5	100	Black	200	80	8.2	18	22
	2.5	100	Blue	100	80	8.2	18	22
	2.5	100	Green	100	80	8.2	18	22
	2.5	100	Natural	100	80	8.2	18	22
	2.5	100	Red	100	80	8.2	18	22
	2.5	100	Yellow	100	80	8.2	18	22
	4.8	200	Black	100	222	22.6	50	50
	4.8	200	Natural	100	222	22.6	50	50
	4.8	200	Black	100	222	22.6	50	50
	4.8	300	Black	100	222	22.6	50	76

Colour Reference Guide



Part No. CTP26



Part No. CTP27



Part No. CTP28



Part No. CTP29



Part No. CTP30



Part No. CTP31



Part No. CTP32



Part No. CTCP1000



Part No. CTCP10

Part No.	Width mm	Length mm	Colour	Qty	Min. Loop Tensile Strength			Bundle Dia. Max mm
					N	kgf	lbf	
COLOURED CABLE TIES								
CTP26	4.8	300	Black	60	222	22.6	50	76
	4.8	300	Blue	60	222	22.6	50	76
	4.8	300	Green	60	222	22.6	50	76
	4.8	300	Red	60	222	22.6	50	76
	4.8	300	Yellow	60	222	22.6	50	76
CTP27	2.5	100	Black	100	80	8.2	18	22
	3.6	200	Black	100	178	18.2	40	53
CTP28	2.5	100	Black	50	80	8.2	18	22
	2.5	100	Natural	50	80	8.2	18	22
	3.6	200	Black	50	178	18.2	40	53
	3.6	200	Natural	50	178	18.2	40	53
CTP29	2.5	100	Red	50	80	8.2	18	22
	2.5	100	Yellow	50	80	8.2	18	22
	3.6	200	Blue	50	178	18.2	40	53
	3.6	200	Green	50	178	18.2	40	53
CTP30	2.5	100	M. Green	50	80	8.2	18	22
	2.5	100	M. Brown	50	80	8.2	18	22
	3.6	200	M. Green	50	178	18.2	40	53
	3.6	200	M. Brown	50	178	18.2	40	53

Part No.	Width mm	Length mm	Colour	Qty	Min. Loop Tensile Strength			Bundle Dia. Max mm
					N	kgf	lbf	
COLOURED CABLE TIES								
CTP31	4.8	200	Fl. Blue	20	222	22.6	50	50
	4.8	200	Fl. Green	20	222	22.6	50	50
	4.8	200	Fl. Orange	20	222	22.6	50	50
	4.8	200	Fl. Pink	20	222	22.6	50	50
	4.8	200	Fl. Yellow	20	222	22.6	50	50
CTP32	4.8	300	Fl. Blue	20	222	22.6	50	76
	4.8	300	Fl. Green	20	222	22.6	50	76
	4.8	300	Fl. Orange	20	222	22.6	50	76
	4.8	300	Fl. Pink	20	222	22.6	50	76
	4.8	300	Fl. Yellow	20	222	22.6	50	76

Part No.	Contents	Qty
ASSORTED MULTI PACK		
CTCP1000	CT103BKCD	100
	CT103NTCD	100
	CT204BKCD	100
	CT204NTCD	100
	CT304BKCD	100
	CTP08	500

Part No.	Contents	Qty
BLACK MULTI PACK		
CTCP10	CT103BKCD	2 x 100
	CT154BKCD	2 x 100
	CT205BKCD	4 x 100
	CT305BKCD	2 x 100



MERCHANDISERS AND PACKS

Innovative range of convenient merchandisers and workshop packs to store and display popular Tridon clamps to suit retail or trade environments.

Compact and durable drawer merchandisers hold a range of Tridon hose clamps. Sizes and part numbers are easily identified for selection and reorder, and handy drawer style allows for easy access and refill. These modular style units can also be configured to suit individual requirements.

Hose clamp packs are ideal for farm, workshop, DIY or mobile use in a variety of applications. Handy carry cases provide one compact storage location and are clearly marked with size range.



MODULAR DRAWER MERCHANDISERS

Perforated Band Clamps

Part Stainless / All Stainless

Perforated Band Clamp

Part Stainless Steel MH/HS Series



Size Range mm	Part No.	Qty	Size Range mm	Part No.	Qty
Part No: CMHS250					
6 - 16	MH004	30	21 - 44	HS020	30
11 - 22	MH006	30	27 - 51	HS024	30
14 - 27	HS010	30	33 - 57	HS028	20
18 - 32	HS012	30	40 - 64	HS032	20
21 - 38	HS016	30	TOTAL		250

■ Part No: CMHS250T available with individually tagged hose clamps

Perforated Band Clamp (Including EFI)

Part Stainless Steel MH/EFI/HS Series



Size Range mm	Part No.	Qty	Size Range mm	Part No.	Qty
Part No: CMHS210					
11 - 18	MH005	30	46 - 70	HS036	15
7 - 15	EFI004	30	52 - 76	HS040	15
9 - 17	EFI005	30	59 - 83	HS044	15
14 - 22	EFI006	30	65 - 89	HS048	15
13 - 25	HS008	30	TOTAL		210

■ Part No: CMHS210T available with individually tagged hose clamps

Perforated Band Clamp

Part Stainless Steel MH/HS Series



Size Range mm	Part No.	Qty	Size Range mm	Part No.	Qty
Part No: CMHS130					
6 - 16	MH004	30	21 - 44	HS020	20
11 - 22	MH006	30	27 - 51	HS024	20
14 - 27	HS010	30	TOTAL		130

Perforated Band Clamp

All Stainless Steel MAH/HAS Series



Size Range mm	Part No.	Qty	Size Range mm	Part No.	Qty
Part No: CMHAS200					
6 - 16	MAH004	30	21 - 44	HAS020	15
11 - 22	MAH006	30	27 - 51	HAS024	15
14 - 27	HAS010	30	33 - 57	HAS028	15
18 - 32	HAS012	30	40 - 64	HAS032	15
21 - 38	HAS016	30	TOTAL		200

MODULAR DRAWER MERCHANDISERS

Multi Purpose Solid Band Clamps

Part Stainless / All Stainless

Multi Purpose Clamps (Collared)

Part Stainless Steel MP Series



Size Range mm	Part No.	Qty	Size Range mm	Part No.	Qty
Part No: CMMP220					
9.5 - 12	MPC000	30	30 - 42	MPC1X	20
11 - 16	MPCM00	30	35 - 53	MPC2	20
13 - 20	MPC00	30	40 - 57	MPC2X	20
16 - 27	MPC0	30	52 - 70	MPC3	20
22 - 38	MPC1	20	TOTAL		220

Multi Purpose Clamps (Collared)

All Stainless Steel SMP Series



Size Range mm	Part No.	Qty	Size Range mm	Part No.	Qty
Part No: CMSMP200					
9.5 - 12	SMPC000	30	30 - 42	SMPC1X	20
11 - 16	SMPCM00	30	35 - 53	SMPC2	20
13 - 20	SMPC00	20	40 - 57	SMPC2X	20
16 - 27	SMPC0	20	52 - 70	SMPC3	20
22 - 38	SMPC1	20	TOTAL		200

Solid Band Clamps

Part Stainless Steel (Auto Sizing) SMH/SHS Series



Size Range mm	Part No.	Qty	Size Range mm	Part No.	Qty
Part No: CMSHS250					
6 - 16	SMH004	30	21 - 44	SHS020	30
11 - 22	SMH006	30	27 - 51	SHS024	30
14 - 27	SHS010	30	33 - 57	SHS028	20
18 - 32	SHS012	30	40 - 64	SHS032	20
21 - 38	SHS016	30	TOTAL		250

Easy access and refill



Modular units can be configured to suit individual requirements

MODULAR DRAWER MERCHANDISERS

T-Bolt Clamps

Part Stainless / All Stainless Steel

T-Bolt Clamps

Part Stainless Steel TTBY Series



Size mm	Part No.	Qty	Size mm	Part No.	Qty
Part No: TBM150					
20 - 22	TTBY20-22	10	60 - 63	TTBY60-63	10
26 - 28	TTBY26-28	10	64 - 67	TTBY64-67	10
29 - 31	TTBY29-31	10	68 - 73	TTBY68-73	8
32 - 35	TTBY32-35	10	74 - 79	TTBY74-79	7
36 - 39	TTBY36-39	10	80 - 85	TTBY80-85	7
40 - 43	TTBY40-43	10	86 - 91	TTBY86-91	6
44 - 47	TTBY44-47	10	104 - 112	TTBY104-112	5
48 - 51	TTBY48-51	8	113 - 121	TTBY113-121	4
52 - 55	TTBY52-55	8	TOTAL		150
56 - 59	TTBY56-59	7			

T-Bolt Clamps

All Stainless Steel TTBS Series



Size mm	Part No.	Qty	Size mm	Part No.	Qty
Part No: TBMSS89					
20 - 22	TTBS20-22	5	60 - 63	TTBS60-63	5
26 - 28	TTBS26-28	5	64 - 67	TTBS64-67	5
29 - 31	TTBS29-31	5	68 - 73	TTBS68-73	5
32 - 35	TTBS32-35	5	74 - 79	TTBS74-79	5
36 - 39	TTBS36-39	5	80 - 85	TTBS80-85	5
40 - 43	TTBS40-43	5	86 - 91	TTBS86-91	5
44 - 47	TTBS44-47	5	104 - 112	TTBS104-112	5
48 - 51	TTBS48-51	5	113 - 121	TTBS113-121	4
52 - 55	TTBS52-55	5	TOTAL		89
56 - 59	TTBS56-59	5			

Rubber Lined Clamps

Zinc Plated Carbon Steel

Rubber Lined Clamps

Zinc Plated Carbon Steel TRLC Series



Size mm	Part No.	Qty	Size mm	Part No.	Qty
Diameter			Diameter		
Part No: CMTRLC270					
6.4	TRLC6	30	17.5	TRLC18	30
7.9	TRLC8	30	22.2	TRLC22	30
9.5	TRLC10	30	25.4	TRLC25	30
12.7	TRLC13	30	27	TRLC27	30
15.9	TRLC16	30	TOTAL		270

WALL MERCHANDISERS

Perforated & Solid Band Clamps

Part Stainless / All Stainless Steel

Perforated Band Clamps

Part Stainless Steel MH/HS Series



Size mm	Part No.	Qty
Part No: CM4HC		
6 - 16	MH004	15
11 - 22	MH006	15
14 - 27	HS010	15
18 - 32	HS012	15
21 - 38	HS016	15
27 - 51	HS024	15
33 - 57	HS028	15
40 - 64	HS032	15
TOTAL		120

■ 382mm (w) x 934mm (h)

Perforated Band Clamps

All Stainless Steel MAH/HAS Series



Size mm	Part No.	Qty
Part No: CM4DC		
6 - 16	MAH004	15
11 - 22	MAH006	15
14 - 27	HAS010	15
18 - 32	HAS012	15
21 - 38	HAS016	15
27 - 51	HAS024	15
33 - 57	HAS028	15
40 - 64	HAS032	15
TOTAL		120

■ 382mm (w) x 934mm (h)

Multi Purpose Clamps (Collared)

Part Stainless Steel MP Series



Size mm	Part No.	Qty	Size mm	Part No.	Qty
Part No: CM4MP					
9.5 - 12	MPC000	15	22 - 38	MPC1	15
11 - 16	MPCM00	15	30 - 42	MPC1X	15
13 - 20	MPC00	15	35 - 53	MPC2	15
16 - 27	MPC0	15	40 - 57	MPC2X	15
TOTAL					120

■ 382mm (w) x 934mm (h)

Multi Purpose Clamps (Collared)

All Stainless Steel SMP Series



Size mm	Part No.	Qty	Size mm	Part No.	Qty
Part No: CM4SMP					
9.5 - 12	SMPC000	15	22 - 38	SMPC1	15
11 - 16	SMPCM00	15	30 - 42	SMPC1X	15
13 - 20	SMPC00	15	35 - 53	SMPC2	15
16 - 27	SMPC0	15	40 - 57	SMPC2X	15
TOTAL					120

■ 382mm (w) x 934mm (h)

Solid Band Clamps (Auto Sizing)

Part Stainless Steel SMH/SHS Series



Size mm	Part No.	Qty	Size mm	Part No.	Qty
Part No: CM4SB					
6 - 16	SMH004	15	21 - 38	SHS016	15
11 - 22	SMH006	15	27 - 51	SHS024	15
14 - 27	SHS010	15	33 - 57	SHS028	15
18 - 32	SHS012	15	40 - 64	SHS032	15
TOTAL					120

■ 382mm (w) x 934mm (h)

HOSE CLAMP PACKS

Perforated Band Clamps

Part Stainless / All Stainless Steel

- Ideal for farm, workshop, DIY or mobile use
- Assorted hose clamp packs to suit a variety of applications
- Handy storage case provides one compact location
- Packs are clearly marked with size range



Perforated Band Clamps

Part Stainless Steel MH/EFI/HS Series



Size mm	Part No.	Qty
Part No: CWP150		
6 - 16	MH004	15
11 - 22	MH006	15
7 - 15	EFI004	15
14 - 22	EFI006	15
14 - 27	HS010	15
18 - 32	HS012	15
21 - 38	HS016	15
27 - 51	HS024	15
33 - 57	HS028	15
40 - 64	HS032	15
TOTAL		150

Perforated Band Clamps

All Stainless Steel MAH/HAS Series



Size mm	Part No.	Qty
Part No: CWP150SS		
6 - 16	MAH004	30
11 - 22	MAH006	30
14 - 27	HAS010	15
18 - 32	HAS012	15
21 - 38	HAS016	15
27 - 51	HAS024	15
33 - 57	HAS028	15
40 - 64	HAS032	15
TOTAL		150

Perforated Band Clamps

Part Stainless Steel MH/HS Series



Size mm	Part No.	Qty
Part No: CVP82		
6 - 16	MH004	20
11 - 22	MH006	20
14 - 27	HS010	10
18 - 32	HS012	10
21 - 38	HS016	10
21 - 44	HS020	6
27 - 51	HS024	6
TOTAL		82

Perforated Band Clamps

All Stainless Steel MAH/HAS Series



Size mm	Part No.	Qty
Part No: CVP82SS		
6 - 16	MAH004	20
11 - 22	MAH006	20
14 - 27	HAS010	10
18 - 32	HAS012	10
21 - 38	HAS016	10
21 - 44	HAS020	6
27 - 51	HAS024	6
TOTAL		82

HOSE CLAMP PACKS

Multi Purpose Solid Band Clamps

Part Stainless / All Stainless Steel

Multi Purpose Clamps (Collared)

Part Stainless Steel MP Series



Size mm	Part No.	Qty
Part No: MP125		
11 - 16	MPCM00	20
13 - 20	MPC00	20
16 - 27	MPC0	20
22 - 32	MPC1A	20
22 - 38	MPC1	20
35 - 53	MPC2	15
52 - 70	MPC3	10
TOTAL		125

Multi Purpose Clamps (Collared)

All Stainless Steel SMP Series



Size mm	Part No.	Qty
Part No: SMP125		
11 - 16	SMPCM00	20
13 - 20	SMPC00	20
16 - 27	SMPC0	20
22 - 32	SMPC1A	20
22 - 38	SMPC1	20
35 - 53	SMPC2	15
52 - 70	SMPC3	10
TOTAL		125

Multi Purpose Clamps

Part Stainless Steel MP Series



Size mm	Part No.	Qty
Part No: MP82		
9.5 - 12	MP000	20
13 - 20	MP00	20
16 - 27	MPO	10
22 - 32	MP1A	10
22 - 38	MP1	10
30 - 42	MP1X	6
35 - 53	MP2	6
TOTAL		82

Multi Purpose Clamps

All Stainless Steel SMP Series



Size mm	Part No.	Qty
Part No: SMP82		
9.5 - 12	SMP000	20
13 - 20	SMP00	20
16 - 27	SMP0	10
22 - 32	SMP1A	10
22 - 38	SMP1	10
30 - 42	SMP1X	6
35 - 53	SMP2	6
TOTAL		82

HOSE CLAMP PACKS

Specialty Packs

Part Stainless / Zinc Plated Carbon Steel

Solid Band Clamps (Auto Sizing)

Part Stainless Steel SMH/SHS Series



Size mm	Part No.	Qty
Part No: SBP82		
6 - 16	SMH004	20
11 - 22	SMH006	20
14 - 27	SHS010	10
18 - 32	SHS012	10
21 - 38	SHS016	10
27 - 51	SHS024	6
33 - 57	SHS028	6
TOTAL		82

Rubber Lined Clamps

Zinc Plated Carbon Steel TRLC Series



Size mm		Part No.	Qty
D	T		
Part No: TRLC90K			
3.2	0.8	TRLC3	10
4.8	0.8	TRLC5	10
6.4	0.8	TRLC6	10
7.9	0.8	TRLC8	10
9.5	0.8	TRLC10	10
11.1	0.8	TRLC11	10
12.7	1	TRLC13	10
14.3	1	TRLC14	5
15.9	1	TRLC16	10
17.5	1	TRLC18	5
TOTAL			90

Vinyl Coated Clamps

Zinc Plated Carbon Steel CAI Series



Size mm	Part No.	Qty
Part No: TVC85		
6	CAI0610	10
8	CAI0810	10
10	CAI1010	10
13	CAI1310	10
14	CAI1410	10
16	CAI1610	10
19	CAI1910	10
25	CAI2510	10
32	CAI3213	5
TOTAL		85

Double Ear Clamps

Zinc Plated Carbon Steel TEC Series



Size mm	Part No.	Qty
Part No: TEC300		
5 - 7	TEC57	30
7 - 9	TEC79	30
9 - 11	TEC911	30
11 - 13	TEC1113	30
13 - 15	TEC1315	30
15 - 17	TEC1517	30
15 - 18	TEC1518	30
17 - 20	TEC1720	30
20 - 23	TEC2023	30
23 - 25	TEC2325	30
SCP-1	Tool	1
TOTAL		300

HOSE CLAMP PACKS

Vehicle Handy Packs

MH/HS Series

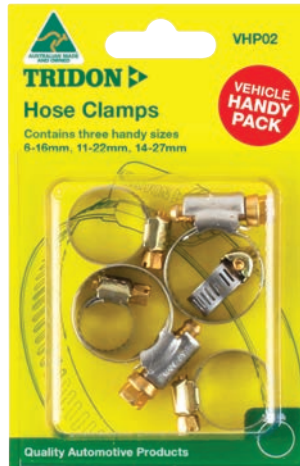
- Contain useful sizes to fit specific vehicle hose ranges
- Ideally suited as emergency pack in service stations or DIY
- Attractive carded packaging

Vehicle Handy Pack Fits hose range 11-57mm



Size mm	Part No.	Qty
Part No: VHP01		
11 - 22	HS006	1
18 - 32	HS012	1
33 - 57	HS028	1
TOTAL		3

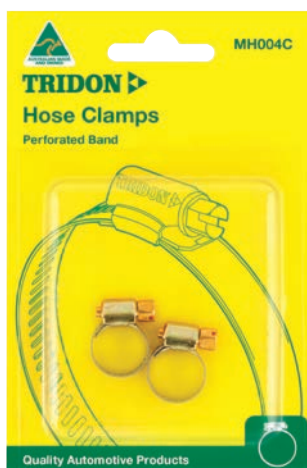
Vehicle Handy Pack Fits hose range 6-27mm



Size mm	Part No.	Qty
Part No: VHP02		
6 - 16	MH004	2
11 - 22	MH006	2
14 - 27	HS010	2
TOTAL		6

Specialty Carded Clamp Packs

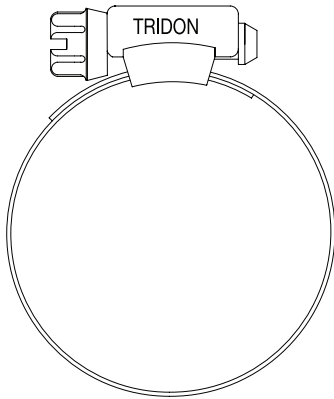
- Handy carded packaging, ideal for use in retail and self-serve sales areas
- Colour coded backing cards make product selection easy
- Clamps secured behind blister to enable identification without opening the pack
- All cards individually barcoded
- Card dimensions 90mm (w) x 140mm (h)
- Supplied in outers of 10 cards
- Refer to table for carded clamp range and pack specifications



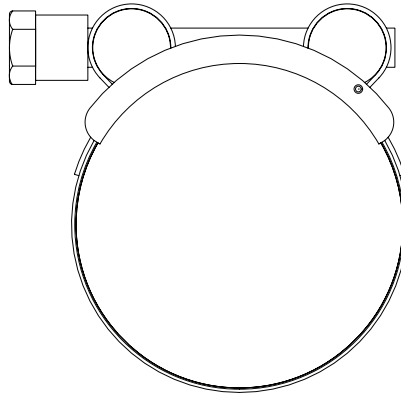
Series	Type	Material	Page
CARDED CLAMP RANGE			
MH/HS Series	Perforated Band	Part Stainless Steel	11
MAH/HAS Series	Perforated Band	All Stainless Steel	13
MP Series	Multi Purpose	Part Stainless Steel	21
SMP Series	Multi Purpose	All Stainless Steel	23
CAI Series	Vinyl Coated	Zinc Plated Carbon Steel	47

CLAMP TYPE / DESIGN

WORM DRIVE



T-BOLT



OTHER

Sketch or Image of Clamp

Please tick your selection ✓

BAND STYLE

Perforated Solid Band

CLAMP DIAMETER

Minimum: Maximum:

MATERIAL GRADE QUANTITY REQUIRED

Part Stainless Full Stainless 430 S/S 300 Series S/S 316 S/S

VIBRATION

None Moderate Severe

SPECIAL REQUIREMENTS

.....

.....

.....

.....

.....

DISASSEMBLY

Never Infrequent Frequent

ENVIRONMENT (Atmosphere)

Mild Strong Severe

YOUR CONTACT DETAILS

NAME: _____

COMPANY NAME: _____

ADDRESS: _____ STATE: _____

POSTCODE: _____

PHONE: _____ MOBILE NO: _____

EMAIL: _____



For further information contact Tridon Customer Service:

AUSTRALIA

Phone: 1300 362 263
Fax: 1300 656 006
Email: sales@tridon.com.au
tridon.com.au

Queensland - Brisbane
90 Old Toombul Road
Northgate QLD 4013

South Australia
8B Myer Court
Beverley SA 5009

New South Wales
Head Office
21 Derby Street
Silverwater NSW 2128

Queensland - Townsville
1/44-46 Carmel Street
Garbutt QLD 4814

Western Australia
Unit 1/43 Welshpool Road
Welshpool WA 6106

Victoria
20 Yiannis Court
Springvale VIC 3171

Northern Territory
1/53 Hickman Street
Winnellie NT 0820

Tasmania
Unit 2/7 Board Mill Drive
St Leonards TAS 7250

NEW ZEALAND

Phone: 0508 874 366
Email: sales@tridon.co.nz
tridon.co.nz

Auckland
3 Tiri Place
Mt Wellington
Auckland 1060

Christchurch
3/38 Dakota Crescent
Wigram
Christchurch 8042



CAT094 © Copyright TRIDON AUSTRALIA PTY. LTD. 2023 - TOLEDO IS A REGISTERED TRIDON BRAND

A.C.N. 001 398 698 Reproduction of this catalogue in part or full is not permitted without written approval. Illustrations in this catalogue are for identification purposes only and there may be slight variations between the illustration and actual product. Whilst every effort has been made to ensure that the information contained in this catalogue is accurate at the time of printing, TRIDON AUSTRALIA PTY LTD will not accept responsibility should any inaccuracies be contained herein.