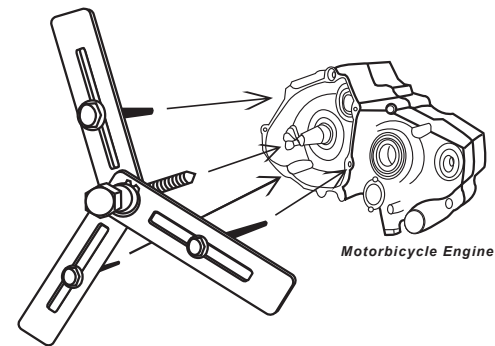
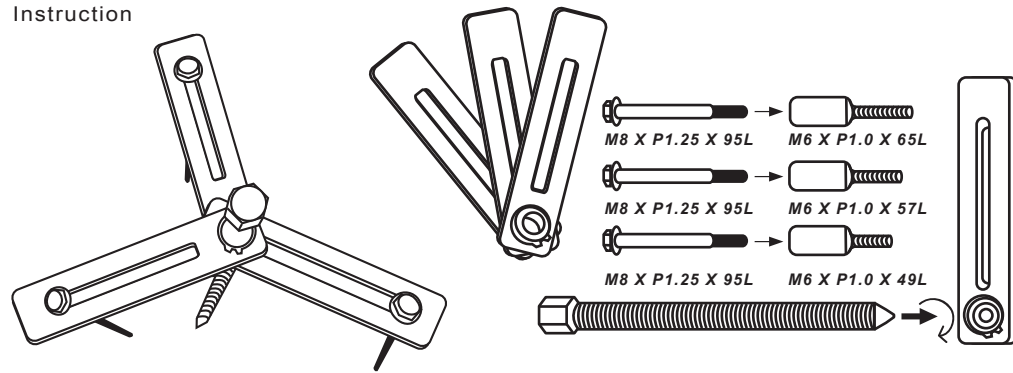


**BS2300**  
**CRANK CASE SEPARATOR TOOL SET**



Havey Duty Adjusting  
Crank Case Separator Tool Set  
Instruction



**APO TOOL INTERNATIONAL LTD.**

No.38 Ping An St, Changhua, Taiwan 50055  
T: +886 4 7514888 / F: +886 4 7524888  
Website : [www.bikeservice.com.tw](http://www.bikeservice.com.tw)  
E-mail : [service@bikeservice.com.tw](mailto:service@bikeservice.com.tw)

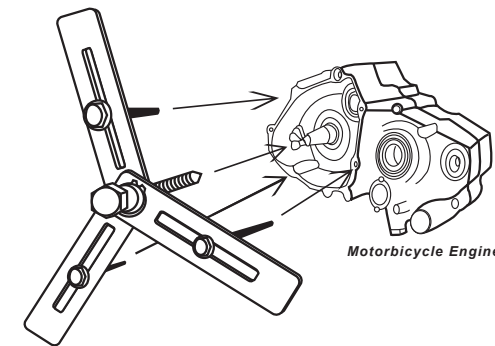
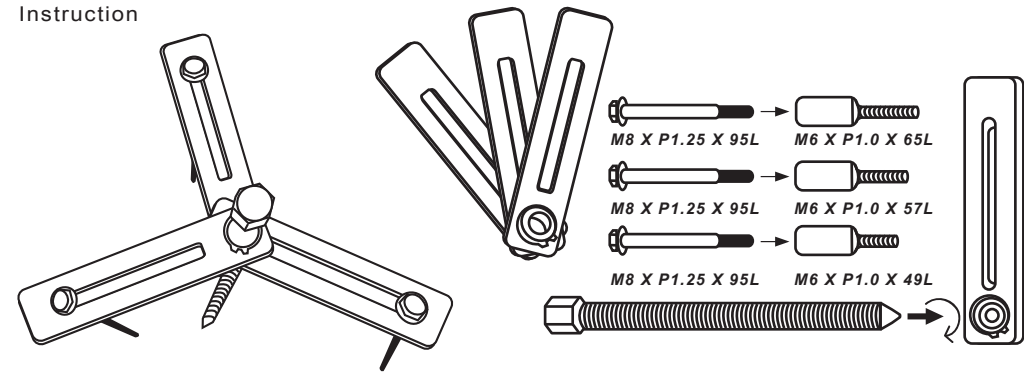
Represent.

- Warning**  
To avoid the risk of a tool breaking in use, causing injury or damage to the component being worked on, always aim to meet the relevant safety requirement.
- Warning**  
Tool is not insulated, do not use on live electrical or high voltage circuits.
- Warning**  
Always use eye protection while using tools
- Warning**  
Always use gloves protection to avoid injury from brake fluid

**BS2300**  
**CRANK CASE SEPARATOR TOOL SET**



Havey Duty Adjusting  
Crank Case Separator Tool Set  
Instruction



**APO TOOL INTERNATIONAL LTD.**

No.38 Ping An St, Changhua, Taiwan 50055  
T: +886 4 7514888 / F: +886 4 7524888  
Website : [www.bikeservice.com.tw](http://www.bikeservice.com.tw)  
E-mail : [service@bikeservice.com.tw](mailto:service@bikeservice.com.tw)

Represent.

- Warning**  
To avoid the risk of a tool breaking in use, causing injury or damage to the component being worked on, always aim to meet the relevant safety requirement.
- Warning**  
Tool is not insulated, do not use on live electrical or high voltage circuits.
- Warning**  
Always use eye protection while using tools
- Warning**  
Always use gloves protection to avoid injury from brake fluid