



12V Jump Starter User Manual MA10000



Thank you for choosing the Matson MA10000 12V Lithium Jump Starter. Always follow basic safety precautions when using electrical appliances and battery products. Read all instructions carefully, and please keep this instruction manual for easy reference.



Overcharge and Overdischarge Protection



Fuse Protection

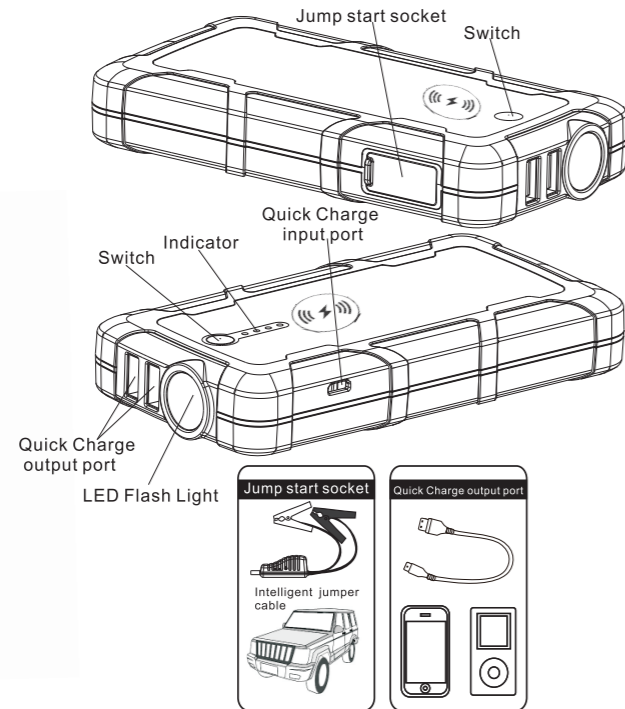


Against-reverse Plug

Applied Standard : GB/T 18287-2000



PRODUCT LAYOUT



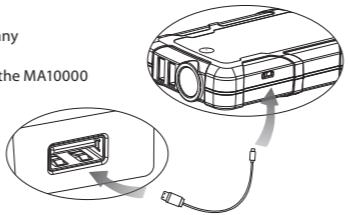
PARTS LIST

#	Part	Qty	#	Part	Qty
1	Jump Starter	1	3	Smart Jump Leads	1
2	USB Cable	1	4	User Manual	1

JUMP STARTER CHARGING INSTRUCTIONS

Please make sure to charge the jump starter after purchasing, and before your first use.

- 1) Plug the USB charging cable into any functioning USB output port
- 2) Connect the micro-USB plug into the MA10000



The LED charge level indicator lights will flash one by one as the unit is charging. When charging is complete, all indicator lights will turn off.

The MA10000 will retain a useful charge for up to 12 months, but it is highly recommended to charge the unit every 3 months in order to maintain the battery in optimum condition.

Charge Level Indicators:

Press the power button and the LED lights corresponding to the level of charge will be illuminated

Indicator	Unlit	1 solid	2 solid	3 solid	4 solid
Charge level	0%	25%	50%	75%	100%

LED Lighting Modes:

Press and hold the LED button for 2 seconds until the light on the front of the Jump Starter turns on. The LED button can be pressed briefly again to cycle through the other lighting modes – Steady, Strobe Flash, SOS and Off.

Charging USB Devices:

Connect a USB powered device to either of the USB outlets, or place a wireless charging compatible device onto the wireless charging symbol, then press the power button to start charging.

1

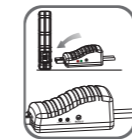
2

JUMP STARTING INSTRUCTIONS

- 1 Check your vehicle owner's manual! Some vehicles have special requirements before jump starting the vehicle.
- 2 If the vehicle battery is abnormally hot, smoking or swollen **DO NOT ATTEMPT TO JUMP START!** Stop using the vehicle, do not attempt to charge, and remove the battery from the vehicle if it is safe to do so.
- 3 Make sure the jump starter has at least 75% battery capacity remaining. Attempting to start a vehicle when the jump starter has less than 75% capacity can potentially damage the jump starter battery.

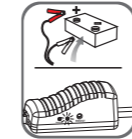
Prepare: Make sure there is no oxidation or dirt on the vehicle battery terminals. A dirty connection will prevent maximum power being transferred to the vehicle and may result in not being able to start the vehicle

STEP 1

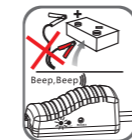


Open the protective rubber cap on the "Jumper Cable" output connection. Insert the blue connector on the "Smart Jump Leads" into the MA10000 jump starter. Note that due to the shape of the connector, this can only be done one way to make sure the connection is correct.

MAKE SURE THE JUMP LEADS ARE FULLY INSERTED INTO THE JUMP STARTER OR YOU MAY MELT THIS CONNECTION



Connect the RED jump start clamp to the vehicle's Positive (+) battery terminal. Connect the BLACK jump start clamp to the vehicle's Negative (-) battery terminal. The "CORRECT" LED should be illuminated on the side of the jump lead housing.



Note: If the jump starter emits a continuous beep and the "REVERSE" LED on the side of the jump lead housing is illuminated, the clamps are connected in reverse polarity. Disconnect immediately and re-connect correctly as per step 1.

STEP 2

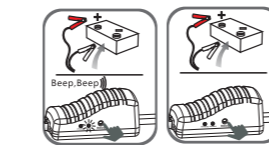
Start the vehicle. Starting current above 200 amps is limited to 5 seconds. Unit locks for 60 seconds between start attempts to prevent overheating. Do not attempt to start more than 3 times, if the vehicle has not started there may be problems other than the battery, please consult an auto electrician

3

STEP 3

Once the vehicle has started, remove the RED and BLACK jump start clamps immediately. Leave the vehicles engine running, the vehicle alternator should start to recharge the vehicle battery.

BOOST FUNCTION AND TROUBLESHOOTING



If the vehicle battery is heavily discharged the jump starter will need to be operated manually by using the over-ride boost function. This should never be done unless necessary – as follows;

Green "Correct" light flashing with alarm sounding, or no lights or alarm at all

If you connect the jump starter to a vehicle and the Green "Correct" light is flashing and an alarm is sounding, or there are no lights or alarms at all, it can indicate there is a fault with the vehicle battery, or the battery is completely discharged and shows no voltage. Check the vehicle battery for faults. If the battery is abnormally hot, smoking, swollen or leaking any fluid, **DO NOT ATTEMPT TO JUMP START.**

If it appears safe to do so, jump starting can be attempted as follows;

Connect the RED clamp to the Positive (+) vehicle battery terminal and the BLACK clamp to the Negative (-) vehicle battery terminal. **Double check this connection is correct! If this is wrong, you will damage the jump starter and potentially the vehicle electronics.**

Press the "BOOST" button on the side of the "Smart Jump Lead" unit. The Green "Correct" light should be illuminated.

Attempt to start the vehicle within 30 seconds or the jump starter will automatically turn off.

Do not attempt to start more than 3 times. If the vehicle does not start, consult an auto electrician or a battery professional.

TOXIC AND HARMFUL SUBSTANCES

Composition and amount of toxic and harmful substances in EPower.

Pb	Hg	Cd	Cr(VI)	PBB	PBDE
0	0	0	0	0	0

0 : Indicate all homogeneous materials' hazardous substances content are below the MCV limit specified in the Standard 2002/95/EC (RoHs).

4

TECHNICAL SPECIFICATIONS

Dimension: 151*81*32mm
Weight: 395g
Battery Capacity: 10000mAh(37Wh)
Output: Quick Charge(5V≈2.4A; 9V≈2A); 5V≈2.1A;
Wireless charging:10W; 12V jump start
Input: Quick Charge(5V≈2A; 9V≈2A)
Full charging time: About 2 hours
Start current: 200A
Peak current: 500A
Operating temperature: -20°C~60°C

FAQ

Q: How do I turn off the MA10000?

A: The Jump Starter will turn itself off automatically after a short period of inactivity.

Q: How many times can the MA10000 jump start a vehicle?

A: This depends on voltage, engine capacity and conditions, but as a guide it will start 12V passenger vehicles around 10 times. The bigger the vehicle and engine, the fewer starts you will get.

Q: What will the MA10000 start?

A: This depends on the capacity and condition of the engine, but up to 3 litre diesel engines is expected.

Q: How long does it take to fully charge the MA10000?

A: Approximately 2 hours.

Q: How long is the life-span of the MA10000?

A: About 3 to 5 years, depending on how frequently it is used and how well it is looked after.

Q: How long does the battery hold charge?

A: The MA10000 can hold 70% of its rated capacity for up to 1 year. For optimum performance and life-span we recommend you fully charge the jump starter each 3 months.

Q: What happens if I use the MA10000 outside its recommended temperature ranges?

A: The MA10000 has thermal sensors and protections that will prevent its use when the device exceeds its operating temperature ranges.

5

WARNINGS

- 1 Always check that the battery clamps are connected in the correct polarity – RED clamp to Positive (+) terminal, BLACK clamp to the Negative (-) terminal.
- 2 Always check that the battery clamps are well connected without any dirt or corrosion.
- 3 DO NOT connect the jump start clamps to the vehicle battery in reverse polarity when the Override function is engaged, this can damage the vehicle and the jump start unit.
- 4 DO NOT touch the two jump start clamps together when the Override function is engaged, this can damage the jump start unit.
- 5 Remove the jump start clamps from the vehicle battery within 30 seconds after jump starting the vehicle.
- 6 DO NOT attempt to jump start a vehicle more than 3 times. If this does not work, there are other problems with the vehicle.
- 7 DO NOT modify or disassemble the jump start unit.
- 8 DO NOT immerse the jump start unit in water or allow it to become wet.
- 9 DO NOT operate the jump starter in explosive atmospheres, including in the presence of flammable gases, liquids or dust.
- 10 If the jump start unit is damaged and the contents of the battery come into contact with skin or eyes, rinse immediately with water and seek medical attention.
- 11 Please dispose of this jump start unit responsibly at the end of its service life.

WARRANTY

Products developed and sold by Tridon Australia Pty Ltd come with a guarantee for the reasonable life of the product, for the purpose it is commonly used. This is in addition to the rights of the consumer under the Australian Consumer Law. To be considered for warranty please take the product with proof of purchase to the store where you purchased the product or contact Tridon Australia

The warranty is given by:
Tridon Australia, 21-25 Derby St, Silverwater, NSW 2128.
Tel: 1300 362 263.

Email: mail@tridon.com.au

Our goods come with guarantees that cannot be excluded under the Australian Consumer Law. You are entitled to a replacement or refund for a major failure and for compensation for any other reasonably foreseeable loss or damage incurred if the product fails when used for the purpose for which it was intended. You are also entitled to have the goods repaired or replaced if the goods fail to be of acceptable quality and the failure does not amount to a major failure.

Tridon Australia will bear costs associated with claiming legitimate warranties. Proof of expenses incurred must be submitted to Tridon Australia Pty Ltd.

6